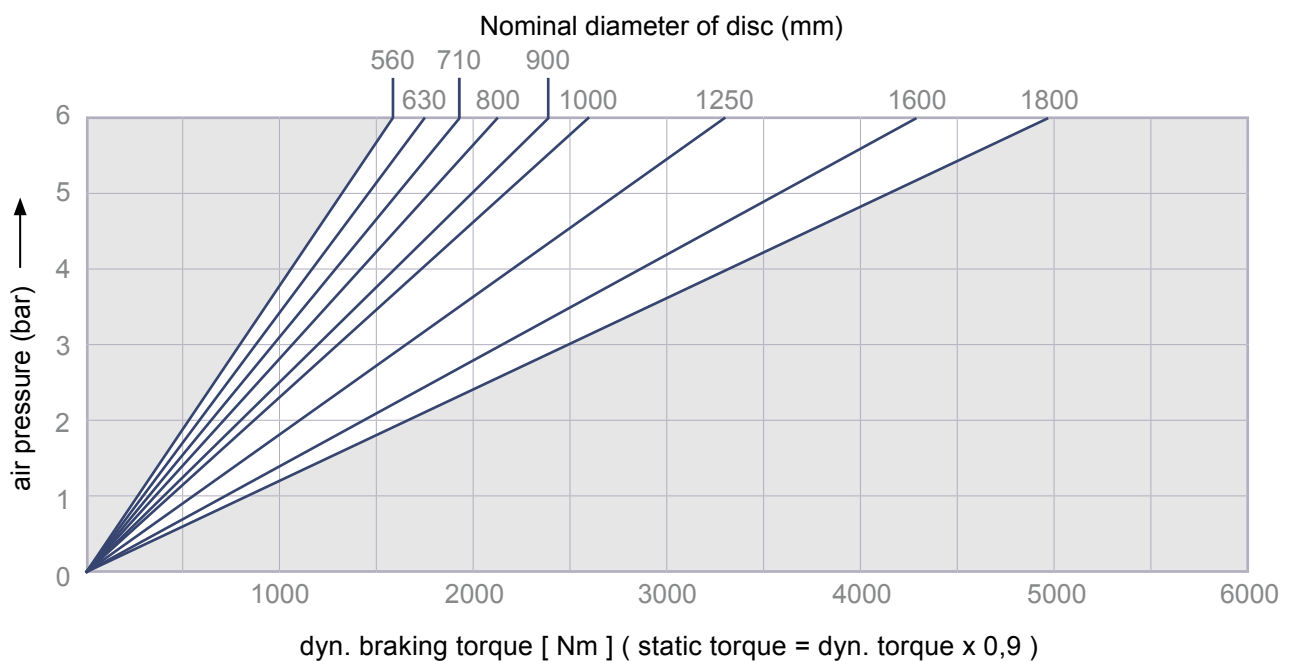




2D-drawing and dimensions see pg. 3

### R&H 300.105.04 / R&H 300.105.04 shortened

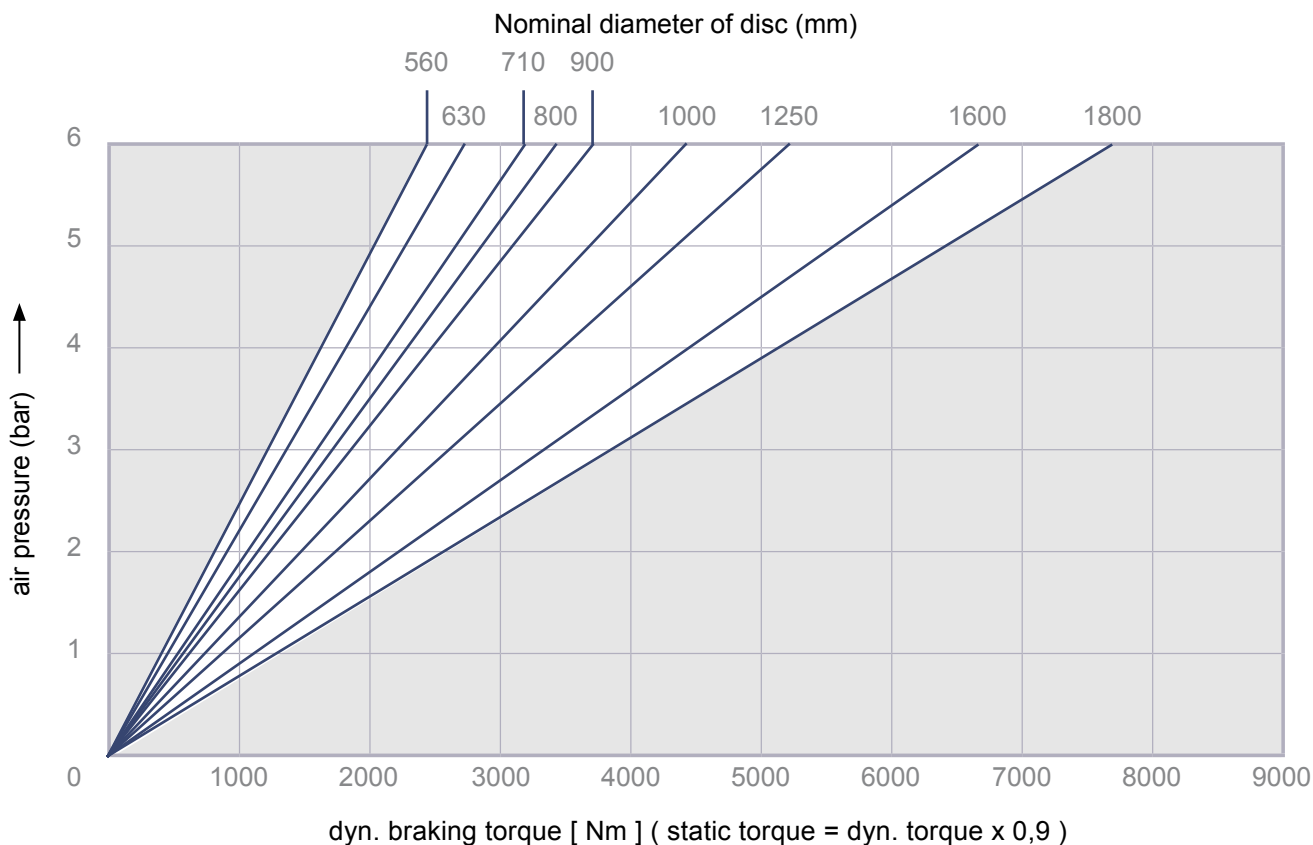


Subject to change without notice.

**Elephant Brakes by Rietschoten Germany. Strong like an elephant. Smart like an elephant.**

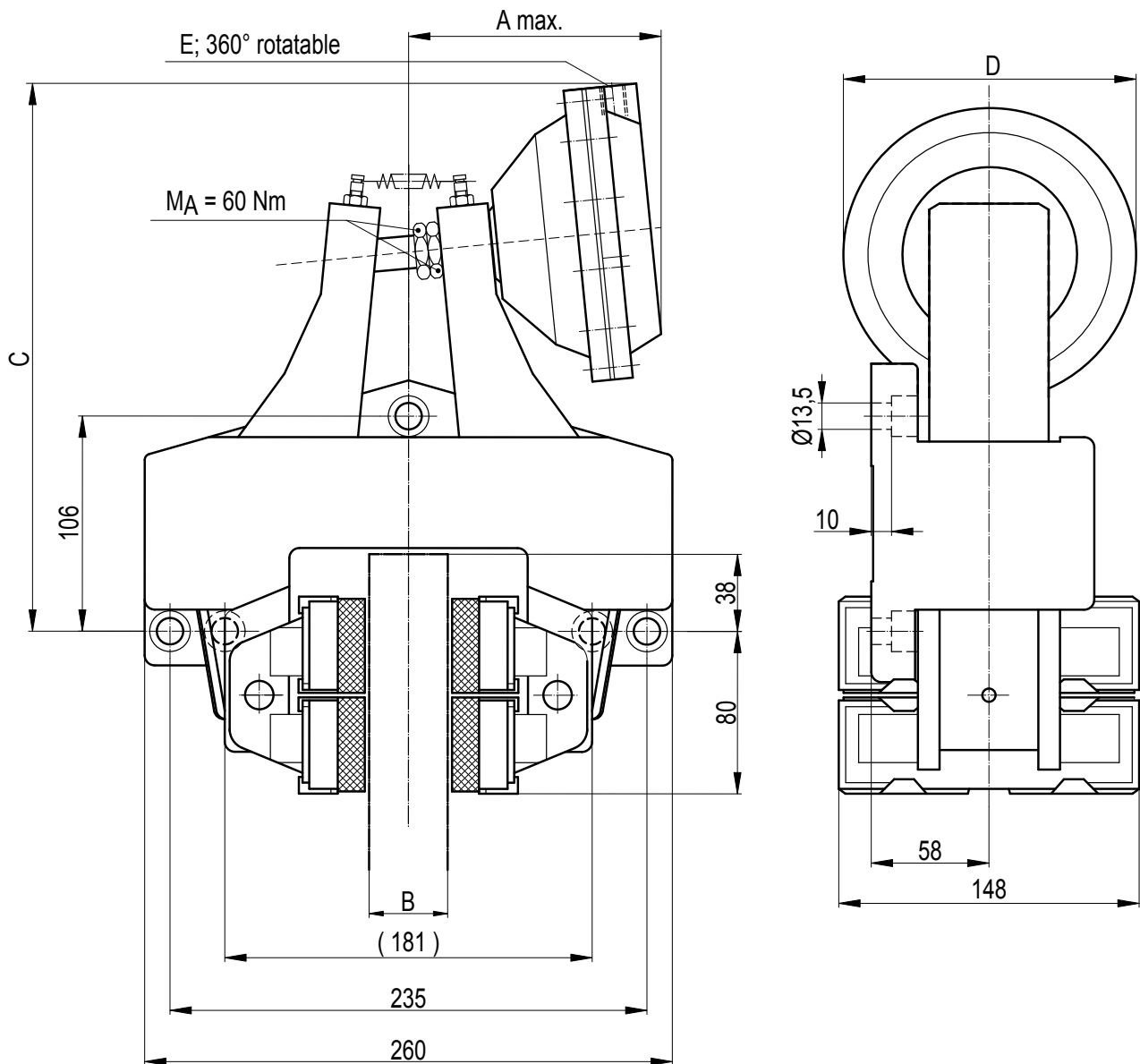
Deutsche van Rietschoten & Houwens GmbH · Junkersstraße 12 · 30179 Hanover · [www.elephantbrakes.com](http://www.elephantbrakes.com)

### R&H 300.107.04 / R&H 300.107.04 shortened



Type	Part-No.:	A <sub>max.</sub> mm	B mm	C mm	Ø D mm	E	Air cons. dm <sup>3</sup> /stroke	weight kg
R&H 300.105.04	11785	155	30	260	144	G 3/8"	0.30	23,2
R&H 300.105.04 short.	11786	145	38	270	144	G 3/8"	0.30	23,2
R&H 300.107.04	11787	160	30	280	180	G 3/8"	0,42	24,0
R&H 300.107.04 short.	11788	150	38	290	180	G 3/8"	0,42	24,0

Subject to change without notice.



Right hand mounted as shown = Standard; left hand mounted please state with order.

Subject to change without notice.