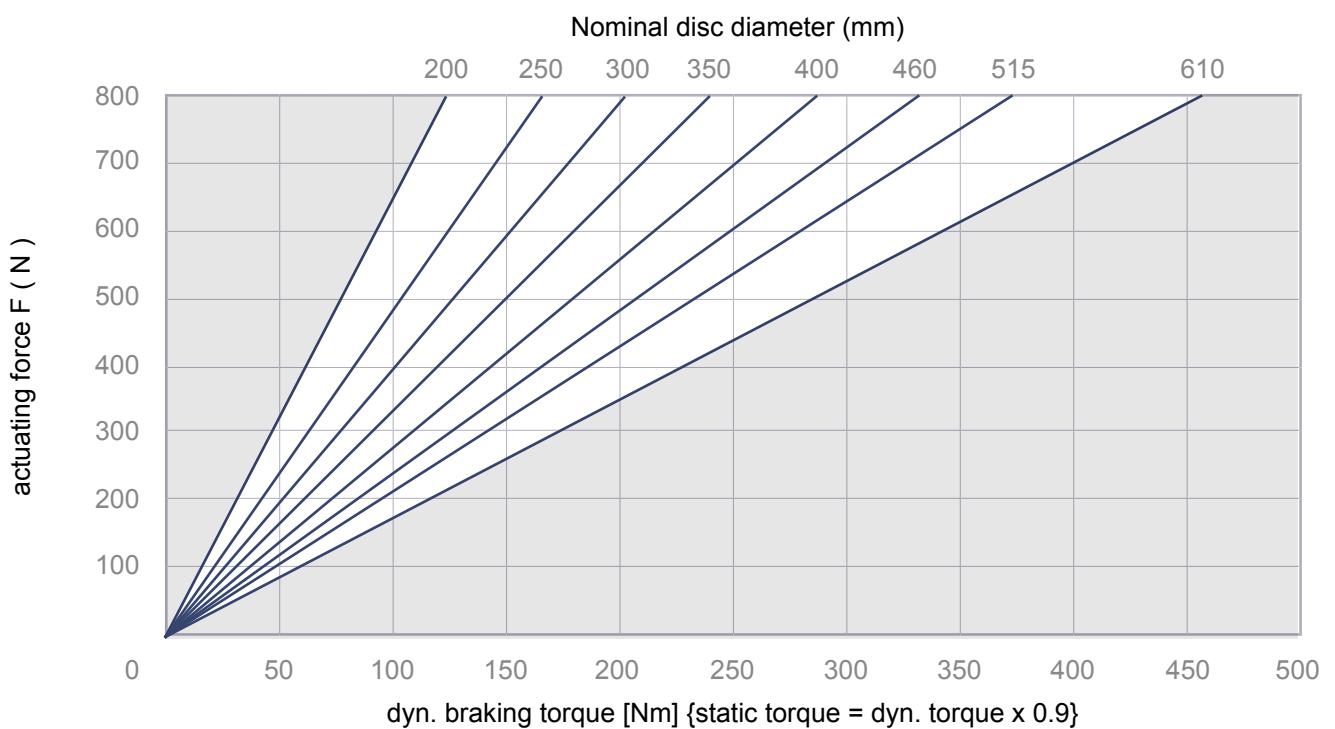




2D-drawing and dimensions see pg. 2

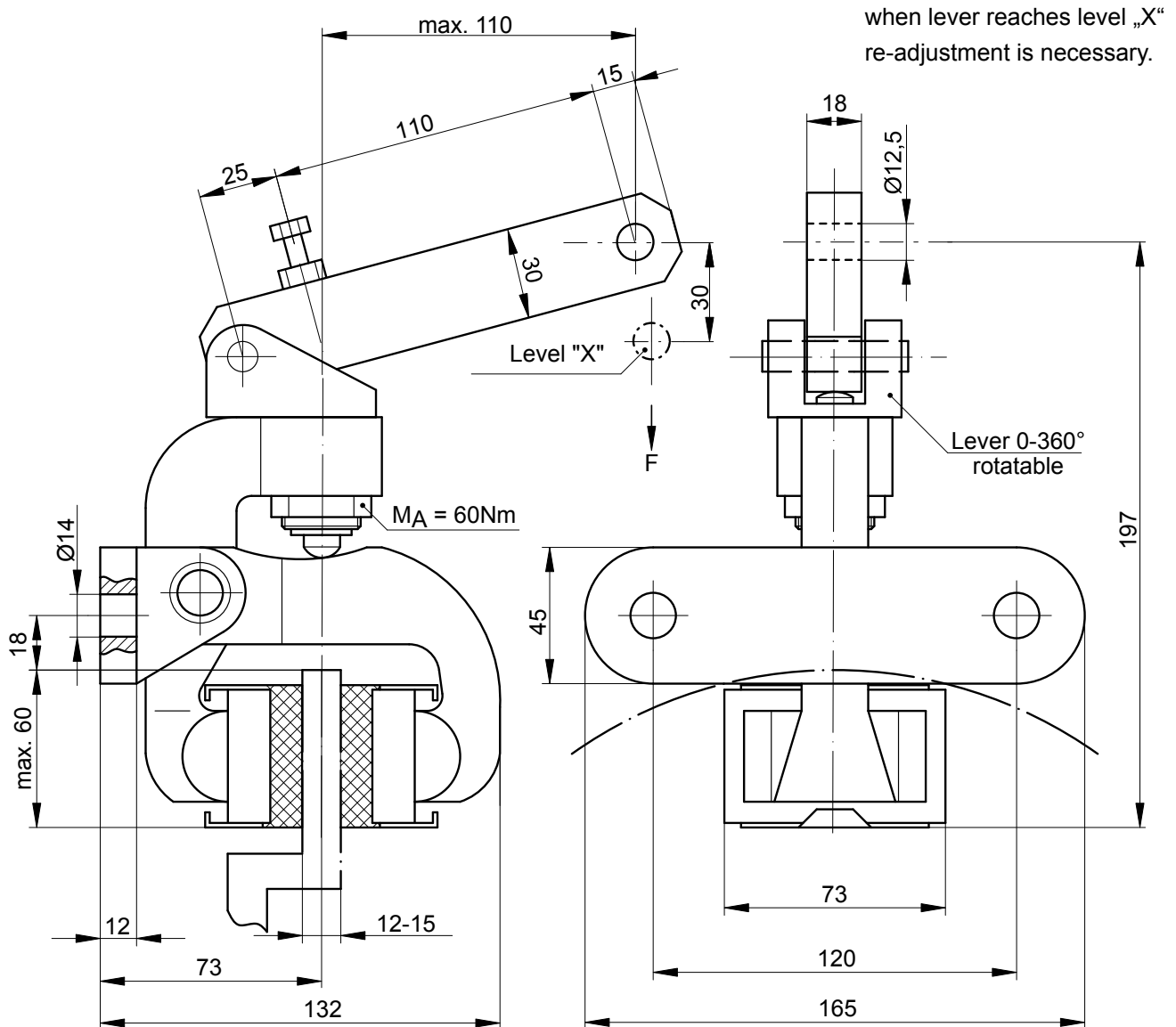


weight: 3,7 kg

Subject to change without notice.

Elephant Brakes by Rietschoten Germany. Strong like an elephant. Smart like an elephant.

Deutsche van Rietschoten & Houwens GmbH · Junkersstraße 12 · 30179 Hanover · www.elephantbrakes.com



Installation position horizontal. In case of deviations, please contact us.
Information about the mounting position can be requested.

Subject to change without notice.