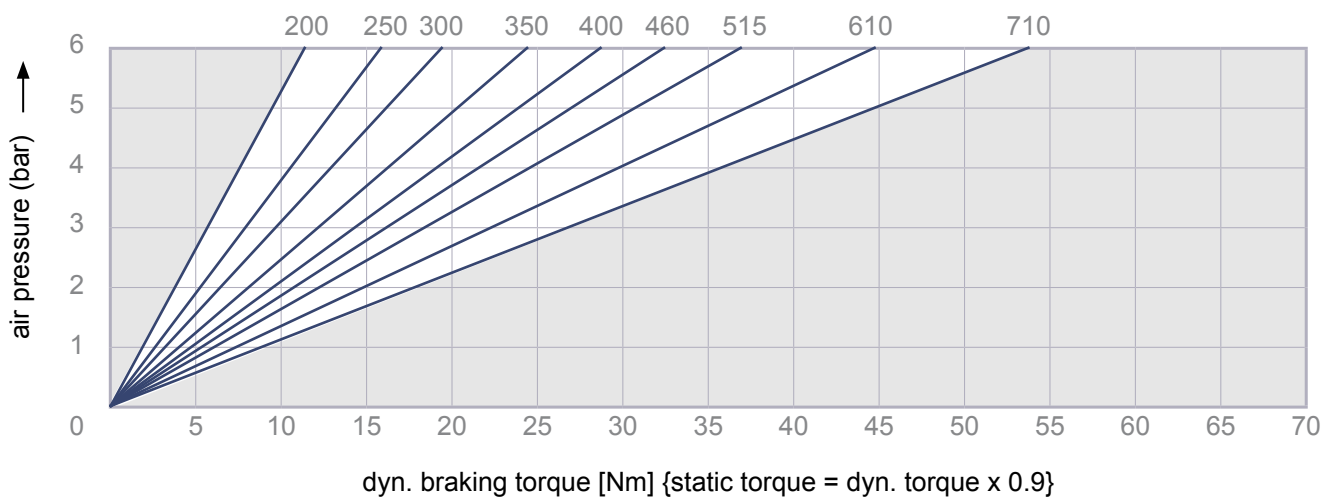


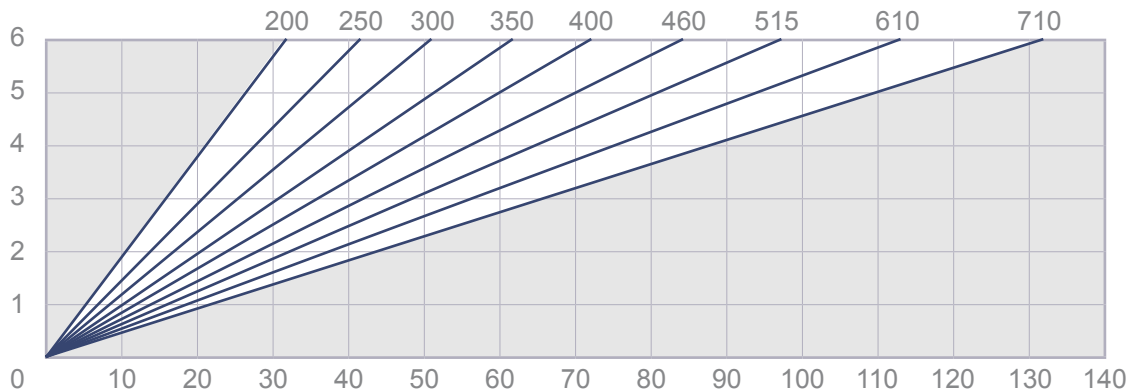
2D-drawing and dimensions see pg. 3

R&H 100.101.01

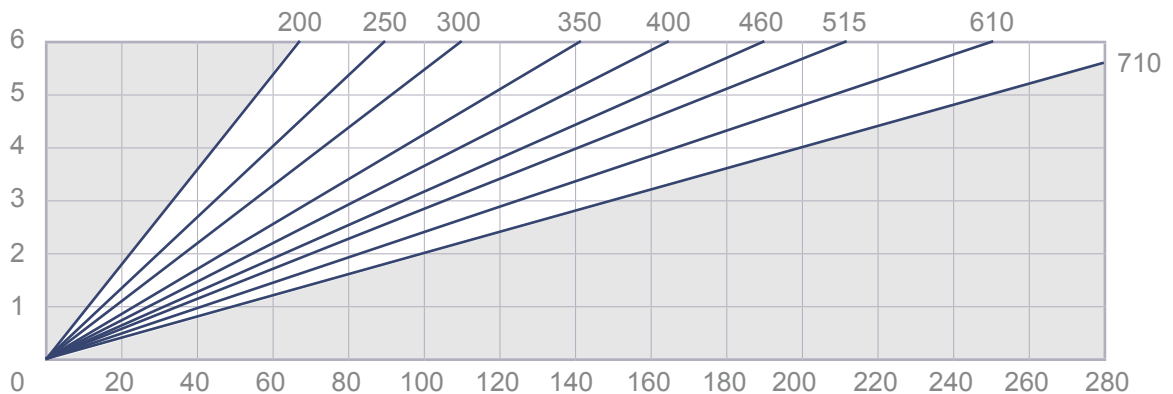


Subject to change without notice.

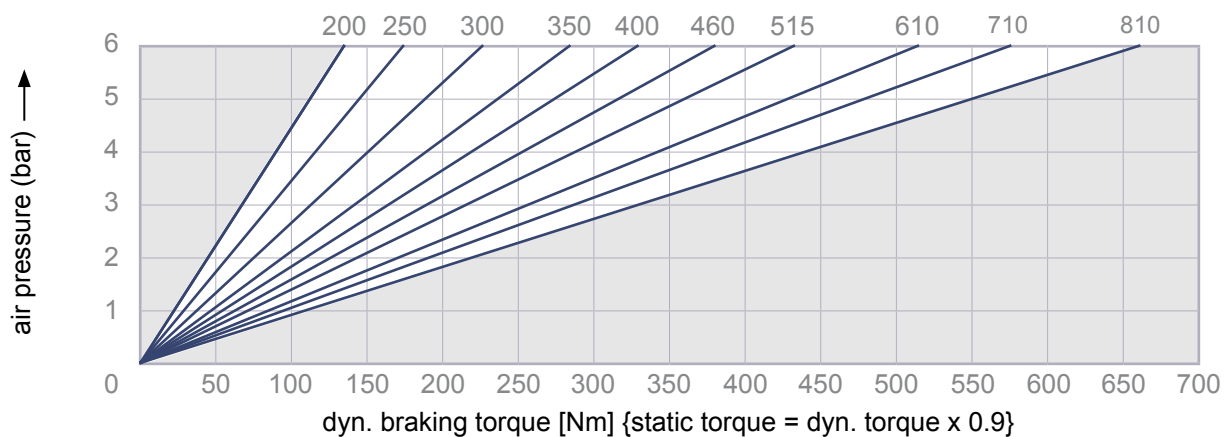
R&H 100.102.01



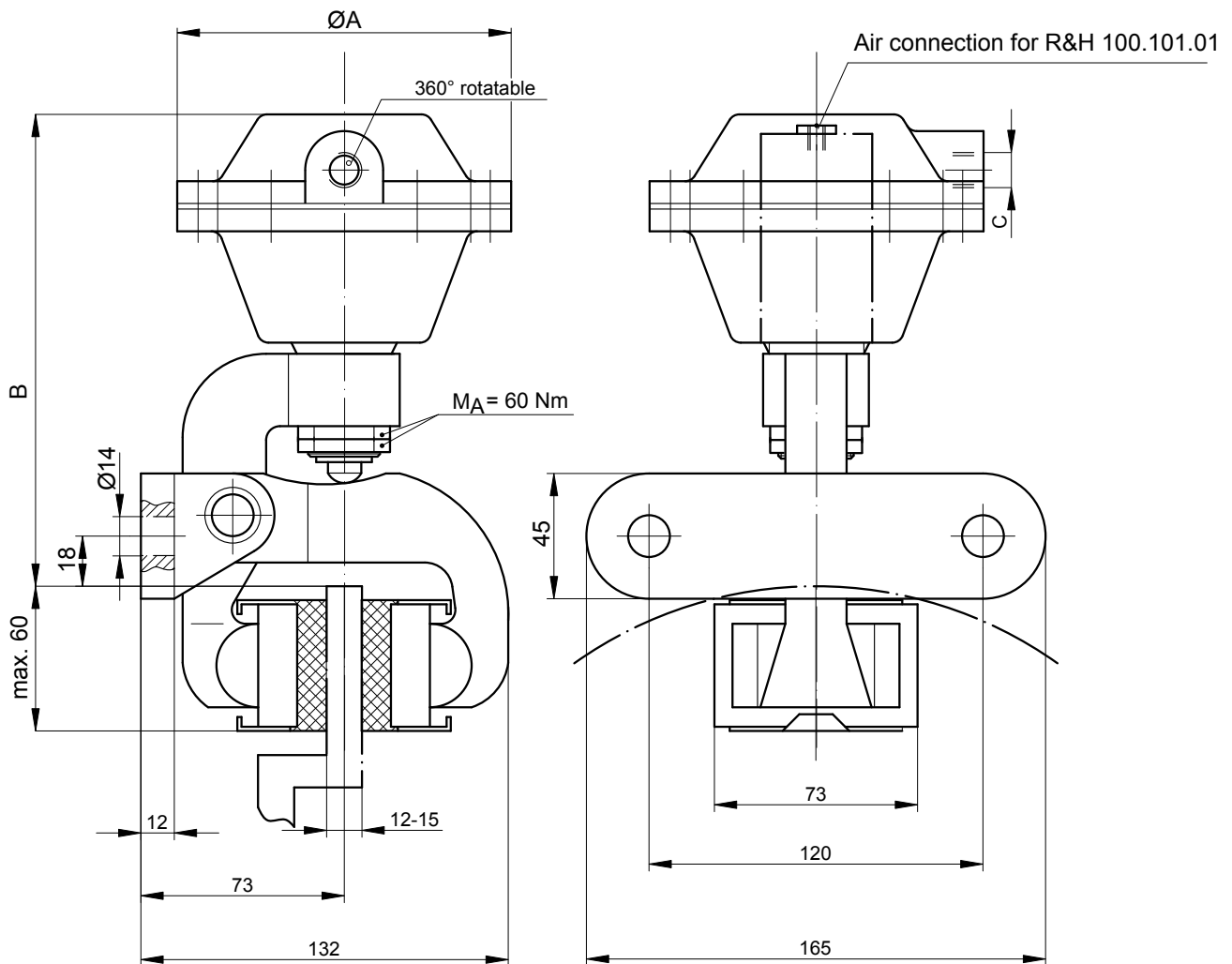
R&H 100.103.01



R&H 100.105.01



Subject to change without notice.



Installation position horizontal. In case of deviations, please contact us.

Information about the mounting position can be requested.

Type	Part-No.:	weight kg	ØA mm	B mm	C	air/cons. dm ³ /stroke	M _A
R&H 100.101.01	10389	3,1	40	170	G1/4"	0,04	15 Nm
R&H 100.102.01	10390	3,6	97	185	G1/4"	0,07	60 Nm
R&H 100.103.01	10388	4,0	120	175	G1/4"	0,15	60 Nm
R&H 100.105.01	10386	4,3	144	180	G3/8"	0,30	60 Nm

Subject to change without notice.