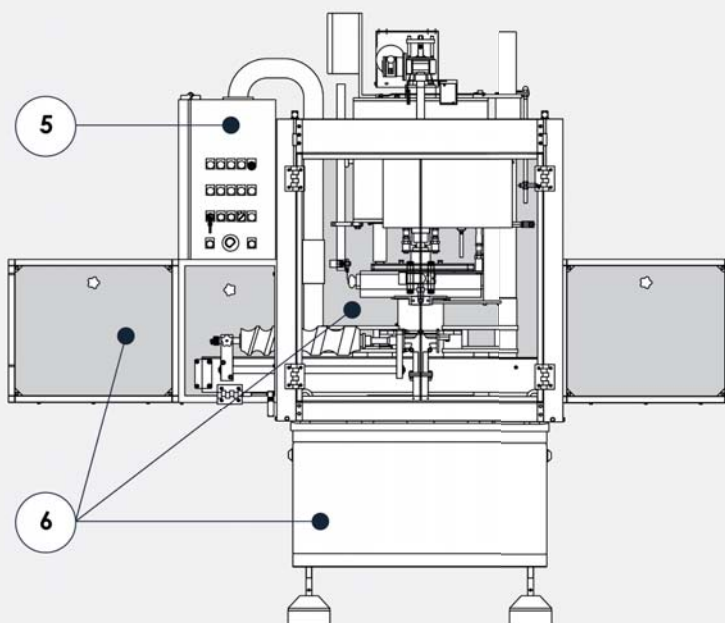


CORKER FOR NATURAL, AGGLOMERATED AND SYNTHETIC CORKS

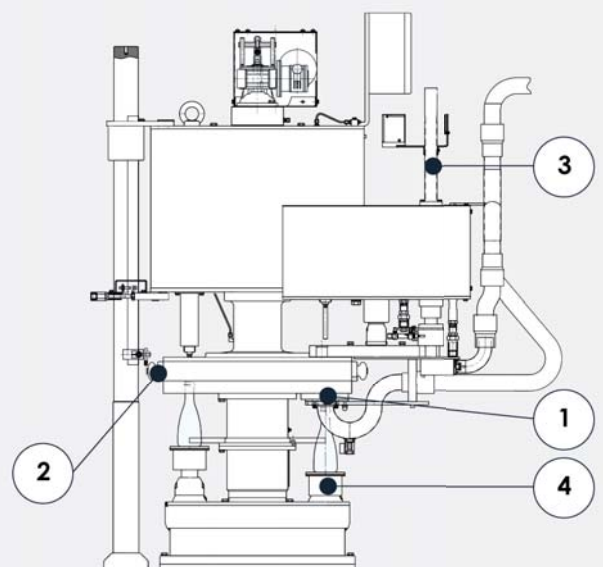


SPEED PRODUCTION	UP TO 667 BPM / 40.000 BPH
MAIN MARKET	WINE • BEER
CAPS APPLICATION	MUSHROOM CORKS (F VERSION) • NATURAL STRAIGHT CORKS (R VERSION)
VERSIONS	
WASHABLE	STAINLESS STEEL COMPONENTS. SUITABLE FOR COMPLETE WASHING (THANKS TO GASKETS AND LABYRINTHS) OF THE CORKER
EVO	STAINLESS STEEL COMPONENTS. SUITABLE FOR COMPLETE WASHING (THANKS TO GASKETS AND LABYRINTHS) OF THE CORKER • LUBE FREE • SINGLE CORKS COMPRESSING UNIT FOR MUSHROOM OR STRAIGHT CORKS
OPTIONS	
OTHER	COMPRESSING UNIT HEATING SYSTEM • N ₂ INJECTION DEVICE (ONLY "R" AND "RF" VERSION) • GAS EVACUATION FROM BOTTLE-NECK (ONLY "R" AND "RF" VERSION) • DUST EXTRACTION • DUMMS UNITS FOR CLEANING • CORKS ELEVATOR
FT SYSTEM INSPECTIONS	CORKS INSPECTION BEFORE CAPPING • CORKS PRESENCE • FILLING LEVEL CONTROL

1. DUST EXTRACTION • 2. CORKS COMPRESSING UNIT • 3. CAPS CHUTE • 4. BOTTLE-LIFTING PISTONS • 5. ELECTRICAL BOARD • 6. SAFETY GUARDS



FREE STANDING EXECUTION



CAPPING TURRET ONLY EXECUTION

QUASAR R•RF•F



8 Heads corker for natural mushroom corks





AROL
(Head Quarter)
viale Italia, 193
14053 CANELLI (AT) - ITALY
ph. +39 0141 820500

AROL HEXAGONE
16, Bd Kennedy
34500 BEZIERS
FRANCE
ph. +33 4 67 98 93 53

AROL GERMANY
Karl-Brauckmann-Str. 14
59469 HOLZWICKEDE
DEUTSCHLAND
ph. +49 0 2301 949 3976

AROL ESPAÑA
C/Llull, 321-329
Edificio CINC
08019 BARCELONA
ESPAÑA
ph. +34 933-091 646

**FT SYSTEM
control & inspection**
Via L. Da Vinci, 117
29010 ALSENO (PC) - ITALY
ph. +39 0523 949777

AROL CHINA
意爱逻包装机械(上海)有限公司
地址: 上海市松江区南乐路1276弄
115号5幢102室 201600中国
电话: +86 021 57771952

AROL INDIA
Pune IT Park, A 401/3,
34 Aundh Road Bhau Patil Marg,
Pune Maharashtra - 411 020 INDIA
ph. +91 20 3939 5603

AROL NORTH AMERICA
450 Satellite Blvd, NE
SUWANEE, GEORGIA 30024 - USA
ph. +1 678 318 1290

AROL LATIN AMERICA
Bosque Radiatas #18, Oficina 502
Col. Bosques de las Lomas,
Cuajimalpa
C.P.05120, México, D.F., MÉXICO
ph. +52 (55) 1327-8618/8817

AROL BRASIL
Pça. Alfa de Centauro, Nº 54 -
1º andar - sala 111
Centro de Apoio II Alphaville -
Santana do Parnaíba -
São Paulo (SP) - CEP 06541 075
BRASIL
ph. +55 11 4156-2176