



Sunfab SCPT is a range of piston pump of a bent axis design with fixed displacement for demanding mobile hydraulics. It covers displacement range of 90 and 130 cm<sup>3</sup>/revs, with a max. operating pressure of 250-300Bar.

The Sunfab SCPT are modern, compact pumps that satisfies the market's strict requirements for flow performance, pressure, efficiency and small installation dimensions. It can be fitted either directly to the power take-off or on a frame bracket via an intermediate shaft. The SCP/SCPT pumps are supplemented by the Sunfab By-Pass valve in installations where hydraulics are used while the vehicle is in motion.

Sunfab SCPT's high reliability is based on material selection, hardening methods, surface structures and the quality-assured manufacturing process.

Other benefits of the Sunfab SCPT

- High maximum speed while maintaining low noise level
- Smooth operation over full speed range
- Long useful life as strict demands are placed on material selection such as bearings, seals, etc.
- O-rings on all contact surfaces plus double shaft seals eliminate oil leakage from both pump and power take-off.

| Pump SCPT 090, 130 DIN                         |                      | 090   | 130                    |
|--|----------------------|-------|------------------------|
| Nominal oil flow at pump speed rpm             |                      | l/min |                        |
|  | 500                  | 45.0  | 65.0                   |
|  | 1000                 | 90.0  | 130.0                  |
|  | 1500                 | 135.0 | 195.0                  |
| Displacement                                   | cm <sup>3</sup> /rev | 90.0  | 130.0                  |
| Max pump speed continuous limited              | rpm                  | 1500  | 1500                   |
|  |                      | 2000  | 2000                   |
| Max operating pressure continuous intermittent | bar                  | 250   | 250                    |
|  |                      | 300   | 300                    |
| Weight   | kg                   | 11.7  | 17.0                   |
| Dimensions                                     | mm                   | A     | 113                    |
|  |                      | B     | 130                    |
|  |                      | C     | 228                    |
|  |                      | D     | 109                    |
|  |                      | E     | 109                    |
|  |                      | F     | 99                     |
|  |                      | G     | 106                    |
|  |                      | H     | 38                     |
|  |                      |       | 50                     |
|  |                      |       | 64                     |
|  |                      |       | 1                      |
|  | 12                   |       |                        |
|  | 12                   |       |                        |
| Tare-weight torque (M)                         | Nm                   | M     | 13                     |
| Direction of rotation                          |                      |       | Left (L) and Right (R) |

Intermittent operation refers to a max of 6 seconds per minute.  
For more information contact Sunfab.

## VERSIONS, MAIN DATA

Example

|      |    |   |     |   |   |   |   |     |   |     |   |    |   |   |   |    |
|------|----|---|-----|---|---|---|---|-----|---|-----|---|----|---|---|---|----|
| SC   | PT | - | 090 | L | - | N | - | DL4 | - | L35 | - | S0 | S | - | 0 | 00 |
| Line | 1  |   | 2   | 3 |   | 4 |   | 5   |   | 6   |   | 7  | 8 |   | 9 | 10 |

|      |    |                |
|------|----|----------------|
| Line | SC | Sunfab Compact |
|------|----|----------------|

|         |    |             |
|---------|----|-------------|
| 1. Type | PT | Tipper pump |
|---------|----|-------------|

|                 |     |     |
|-----------------|-----|-----|
| 2. Displacement | 090 | 130 |
|-----------------|-----|-----|

|                          |   |       |
|--------------------------|---|-------|
| 3. Direction of rotation | R | Right |
|                          | L | Left  |

|            |   |        |         |
|------------|---|--------|---------|
| 4. Sealing | N | Nitril | Nitrile |
|------------|---|--------|---------|

|                    |     |                     |     |
|--------------------|-----|---------------------|-----|
| 5. Mounting flange |     | 090                 | 130 |
|                    | DL4 | DIN 4-h (ISO 7653D) | X X |
|                    | SB4 | SAE B4              | X - |

|          |     |                   |     |
|----------|-----|-------------------|-----|
| 6. Shaft |     | 090               | 130 |
|          | L35 | DIN 5462 / ISO 14 | X X |
|          | B13 | SAE B 13t         | X - |
|          | C14 | SAE C 14t         | - - |

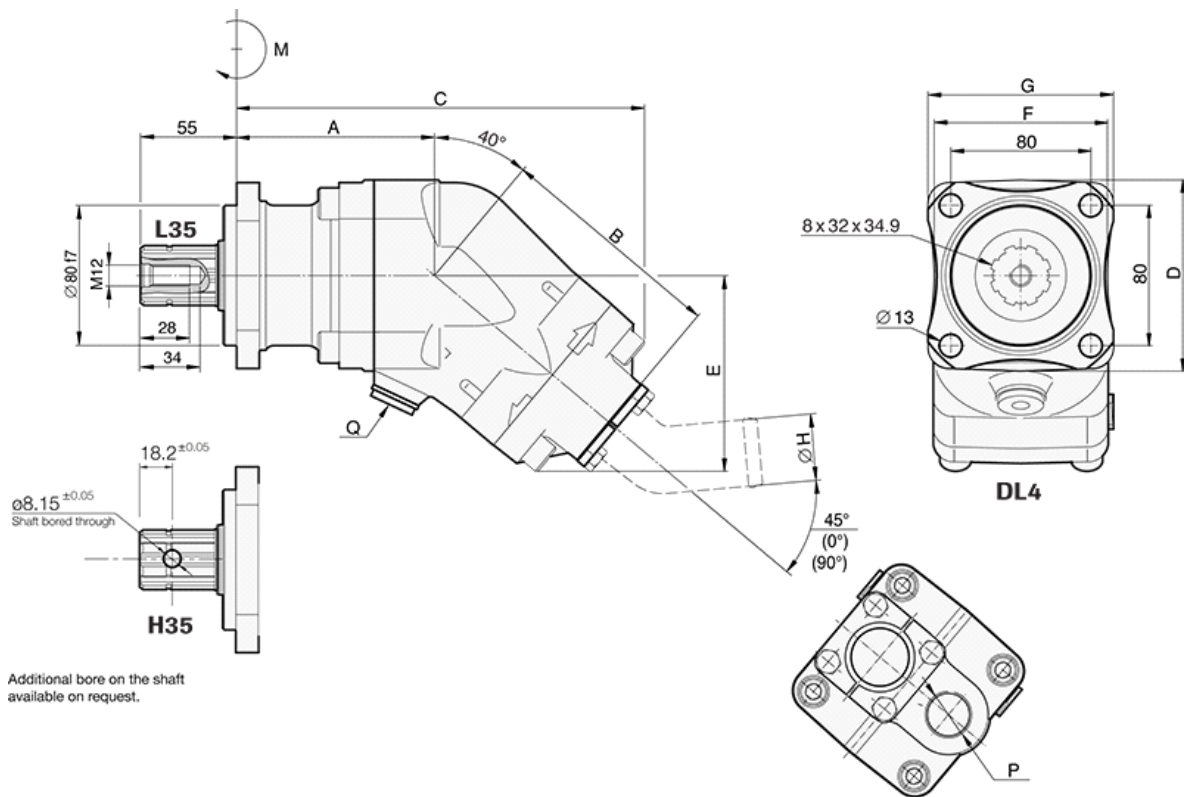
|                     |    |                     |     |
|---------------------|----|---------------------|-----|
| 7. Connection cover |    | 090                 | 130 |
|                     | S0 | 40° Sunfab standard | X X |

|                |   |                 |     |
|----------------|---|-----------------|-----|
| 8. Connections |   | 090             | 130 |
|                | S | Sunfab standard | X X |

|               |   |     |     |
|---------------|---|-----|-----|
| 9. Additional |   | 090 | 130 |
|               | 0 | X   | X   |

|                 |    |                          |
|-----------------|----|--------------------------|
| 10. Accessories | 00 | No accessories available |
|-----------------|----|--------------------------|

X = Standard, preferred  
 (X) = Available, option  
 O = Available on request, contact Sunfab





**WARNING**

When the pump is running:

1. Do not touch the pressure hose
2. Watch out for rotating parts
3. The pump and hoses may be hot

*Sunfab reserves the right to make changes in design and dimensions without notice. Printing and typesetting errors reserved.*