



### Druckbehälter Serie DB – CE

#### Conception

Pressure vessel of forged steel, seamless.

#### Temperature range

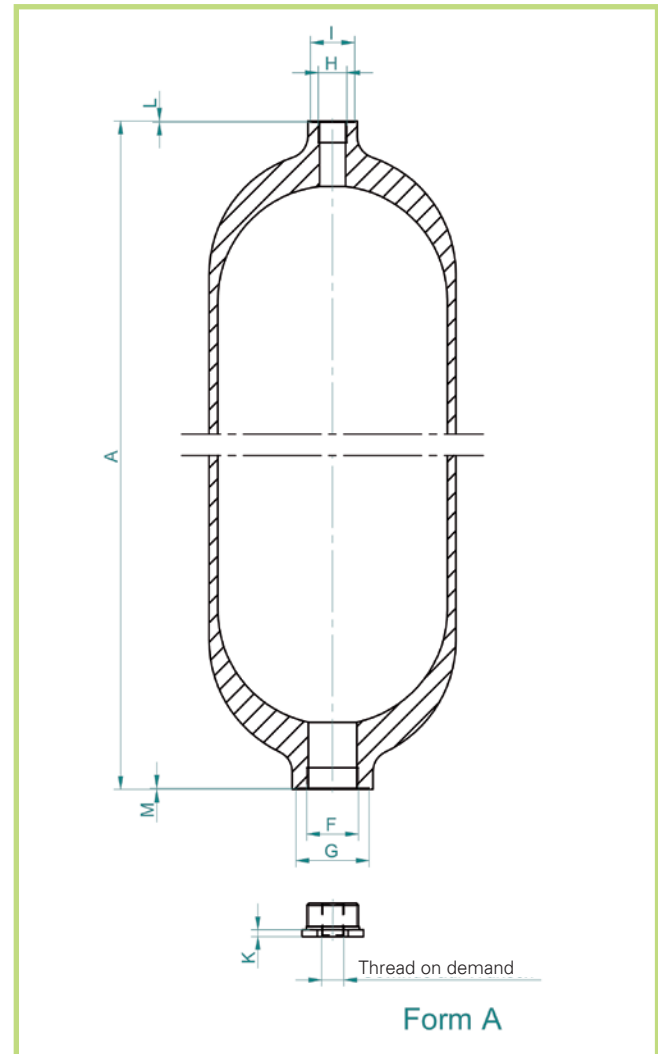
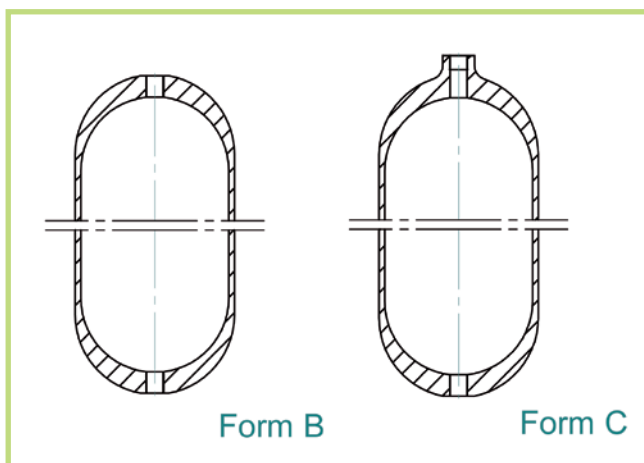
Standard model -10 °C to +93 °C

Other ranges on request.

#### Method of mounting

Clamps and brackets with rubber core, or mounting set, see data sheet OSP 775 and OSP 780

"Accumulator-Accessories".



Model	Capacity V0 liter	Work pressure bar	Weight kg	Dimensions in mm									Form
				A	ø D	F	ø G	H	ø I	K	L	M	
GFL 50 – 220 / 90	50	220	64	1472	229	G ¾"	41	G ¾"	41	8	1	–	C
GFL 50 – 220 / 90	50	220	65	1500	229	G ¾"	41	G ¾"	41	8	–	–	B
GFL 50 – 300 / 94 *	50	300	80	1800	229	G 1 ½"	68	G ¾"	42	8	1	1	A
GFL 50 – 360 / 90	50	360	98	1586	229	G ¾"	45	G ¾"	45	8	–	–	B
GFL 75 – 360 / 90	75	360	120	2275	229	G 1"	47	G ¾"	45	8	–	–	B

Issued in accordance with PED 97/23/EC with CE marked.

\* additional approval ASME VIII div. 1 app. 22

Additional approvals on request.

Manufacturer's tolerances not taken into account.

The right to make modifications reserved.