



Bladder accumulator series EBV

Construction

Bladder accumulator with sieve plate, pressure vessel of steel, welded, heavy duty gas inlet valve, detachable.

Charge pressure PO

Between 0,9 P1 and 0,2 P2, MAX. 20 BAR.
Other pressure ratios on request.

Temperature range

Standard model -20 °C to +100 °C
Other ranges on request.

Volumetric flow Q

The airflow Q is dependent on the nominal diameter.
If that is fixed the airflow can be demanded.

Hydraulic fluids

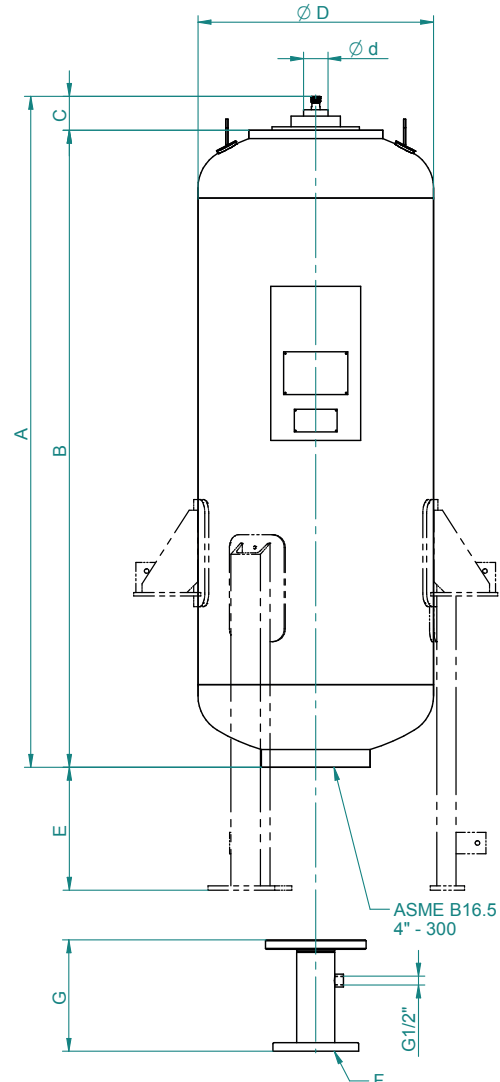
Hydraulic oil (mineral oil)
Other mediums, such as biodegradable hydraulic oil, non-flammable liquids, water, emulsions, fuels, ect. should be specified at the time of ordering.

Installation

Vertical (hydraulic assembly downwards) to horizontal.
Leave a space of 200 mm free above the gas inlet valve for attaching the tester and pressurizer instrument.

Method of mounting

Execution on feet or on brackets possible - see dimension diagram.



Model	Gas-vol. V0 liter	Work pressure			Measures for the execution with feet in kg	Dimensions in mm							
		AD 2000 in bar	EN 13445 in bar	ASME VIII div. 1 in PSI (bar)		A	B	C	ø D	ø d	E	F	G
EBV 100 – .. / ..	93	22 / 40	22 / 39	230 / 360 (16 / 25)	140 / 165	690	610	80	550	63	on customer request	DN 50 / 80 / 100 ANSI 2" / 3" / 4"	min. 300
EBV 150 – .. / ..	139				160 / 195	893	813						
EBV 200 – .. / ..	207				185 / 240	1192	1112						
EBV 300 – .. / ..	293				220 / 290	1568	1488						
EBV 375 – .. / ..	379				250 / 340	1949	1869						
EBV 475 – .. / ..	473				285 / 395	2363	2283						
EBV 530 – .. / ..	532				305 / 435	2622	2542						
EBV 575 – .. / ..	565				325 / 455	2771	2691						

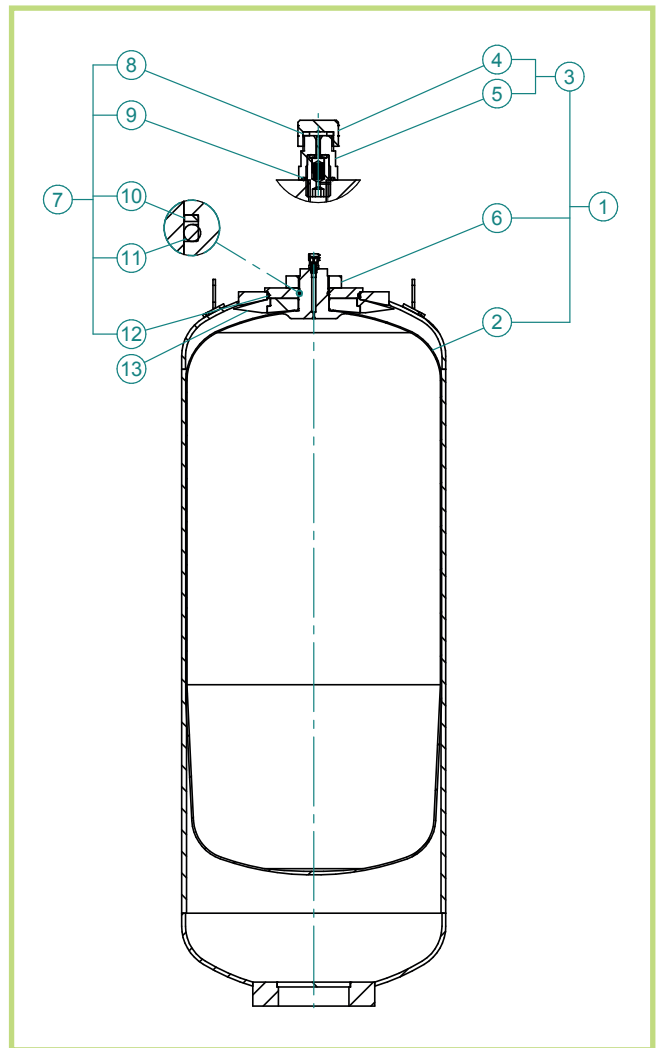
Spare parts lists

Models: EBV 100 to EBV 575 liter

Pos.	Part
1	Bladder assembly ød*
2	Bladder
3	Gas inlet valve assembly
4	Valve cap and gasket
5	Gas inlet valve and gasket
6	Nut
7	Gasket assembly (contains all gaskets)
8	Flat seal
9	O-Ring
10	Retaining ring
11	O-Ring
12	O-Ring
13	Anti-extrusions ring

Important informations

- The technical data on the manufacturer's nameplate must be indicated on the order.
- The accumulator shell is not available as a spare part.
- Quality code used for the bladder.



Certifications possible

Possible country approvals for industry

Nickname / Short description	Admission society
CE n. EN 13445 oder AD 2000	PED
ASME Product Certification Mark (ehemals ASME U-Stamp)	American Society of Mechanical Engineers
TRG (SQL)	Manufacture License of Special Equipment People's Republic of China
GOST - R	Gosgortekhnadzor
GOST - K	Kastechnadzor
GOST - B	Gospromnadzor
NB	The National Board of Boiler & Pressure Vessel Inspectors
RTN	Rostekhnadzor
KGS	Korean Gas Safety
MKE	South Korea Ministry of Knowledge & Economy
JIS	Japan Industrial Standard
NR13	Brazilian Regulations
CRN	Canadian Registration Number
AS1210	Australian Standard
MOM	Ministry of Manpower Singapore
DOSH	Department of Occupational Safety and Health Malaysia

Marine certifications

Nickname / Short description	Admission society
ABS	American Bureau of Shipping
BV	Bureau Veritas Marine
DNV	Det Norske Veritas
GL	Germanischer Lloyd
RS	Russian Register Maritime of Shipping
LR	Lloyds Register EMEA
RINA	Registro Italiano Navale
CCS	China Classification Society
IRS	Indian Register of Shipping
RRR	Moscow Branch Office of Russian River Register
NK	NIPPON KAIJI KYOKAI (ClassNK)