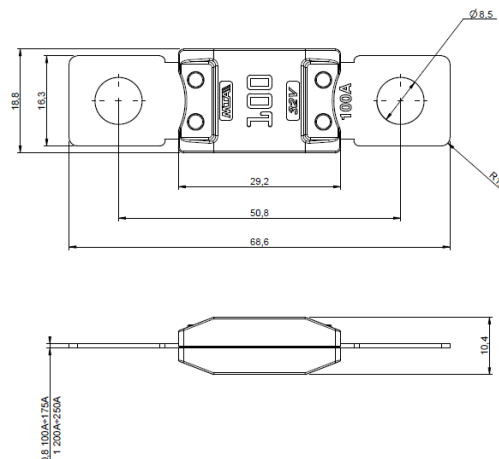


# MEGAVAL® STRIP TYPE FUSE

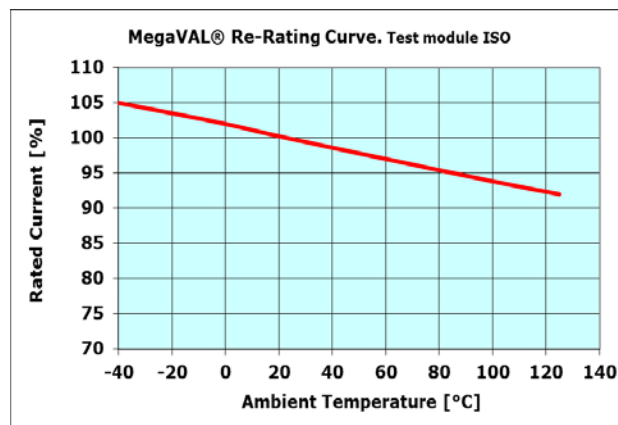
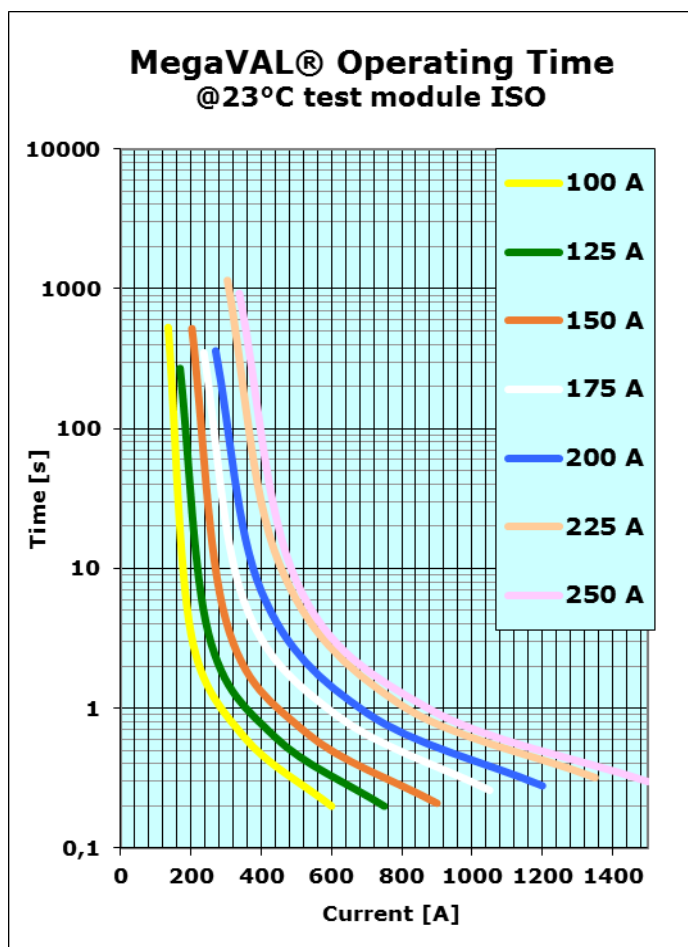
MegaVAL® fuses are compliant with ISO 8820-5 Standard, recommended for the protection of heavy cross-section wires with heavy current duty. MegaVAL® are made of Copper alloy (100 ÷ 250 A) to optimize the performance to the nominal current.



**Breaking capacity:** 2000[A]  
**Voltage rating:** 32[Vdc]  
**Ambient Temperature:** -40°C to +125°C



MTA/ISO MegaVAL® operating time limits		
% In	min [s]	max [s]
1,00	14400	∞
1,35	120	1800
2,00	1	15
3,50	0,3	5
6,00	0,1	1



CURRENT RATING [A]	VOLTAGE DROP @ current rating [mV]	CABLE SIZE [mm <sup>2</sup> ]	I <sup>2</sup> t* [A <sup>2</sup> s]
100	99,0	16	56000
125	98,5		96000
150	100,3	25	144000
175	99,1		296000
200	97,3	35	396000
225	95,0		552000
250	96,4	50	628000

\*calculated from breaking capacity test