



Bursting Disks, Indicators & Accessories for Sterile Applications

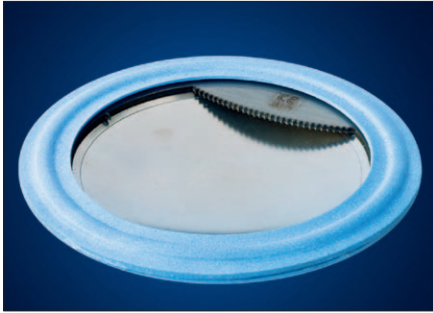


Verfahrenstechnik

Product Range

Metal Bursting Disks for Sterile Applications

Types SF-MV-S / SU-C-S / SU-R-S

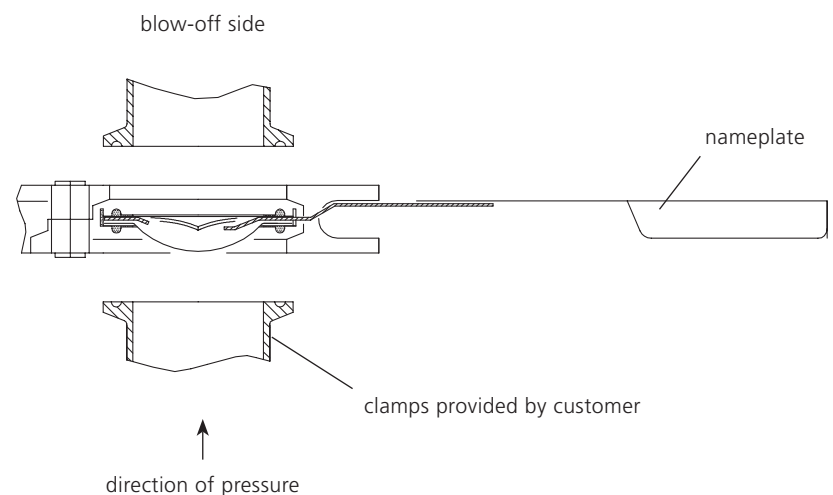


STRIKO sterile metal bursting disks are particularly characterised by their low dead spot design on the product side - this characteristic is in particularly high demand with customers from the pharmaceutical or food sectors. Sterile bursting disks are typically used in Tri-Clamp connections. All variants warrant non-fragmenting opening, a product property that is essential in these applications.



Application advantages

- robust, low dead spot design
- non-fragmenting opening
- for securing gas, liquid or dual-phase streams
- use as a single pressure relief unit or in combination with a safety valve
- vacuum-proof design, depending on type, pressure and nominal width
- working ratio: up to 90%
- with 3D nameplate for maximum application safety
- ideal for securing media with a tendency to adhere
- seals: PTFE, EPDM, Garlock GYLON® Blue, Silicone (all FDA approved, further on request)
- integrated burst monitoring optionally available
- used in Tri-Clamps according to DIN, ISO and ASME

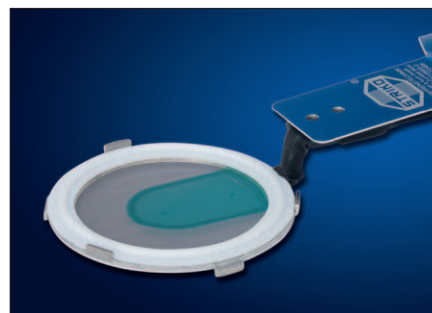


Burst Indication for Sterile Applications

Types SVT 02-S / SVT 05-S / SVT AM-S

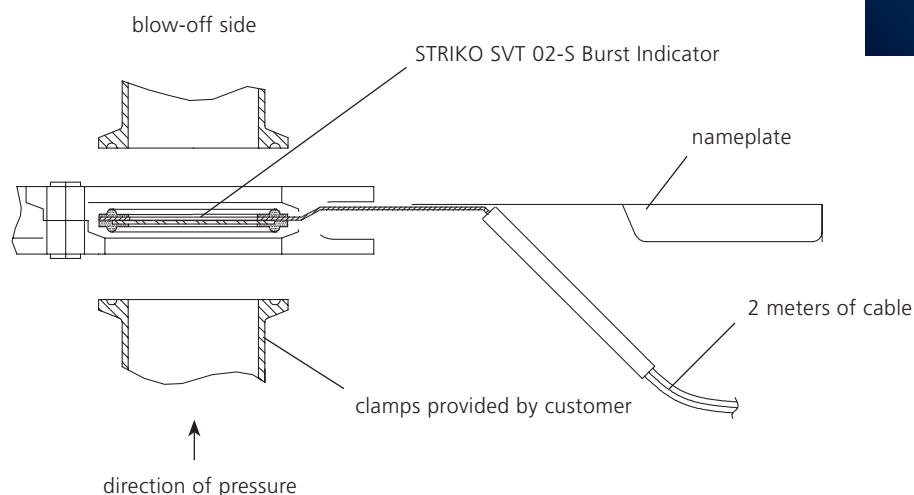
Burst Indicators and Leakage Sensors specifically designed for sterile applications can reliably detect the response or the slightest leakage of a bursting disk. Using a double clamp union, the Burst Indicator / Leakage Sensor is fitted behind the pressurising burst disk. The various applications require different types to be used.

- SVT 02-S** Standard Burst Indicator with PEEK membrane
- SVT 05-S** Leakage Sensor for the monitoring of bursting discs and safety valves for the slightest leaks
- SVT AM-S** Full metal Burst Indicator for use with high operating temperatures



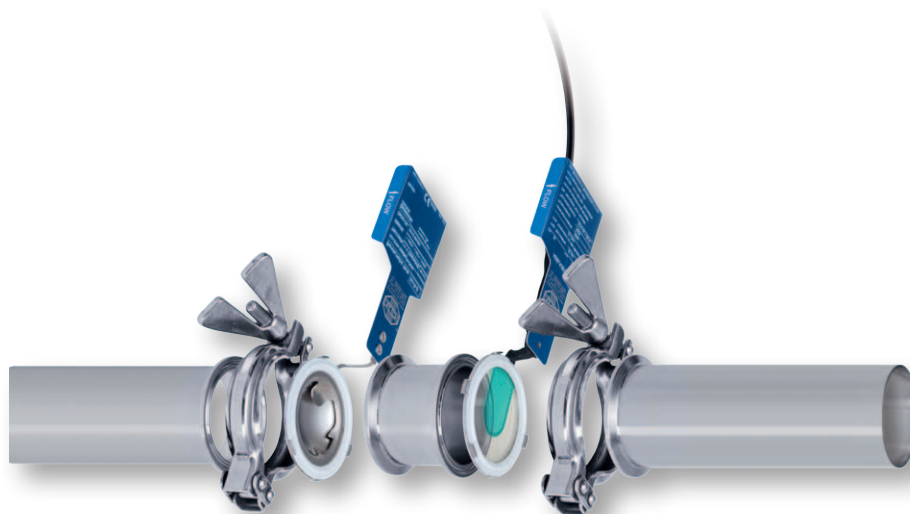
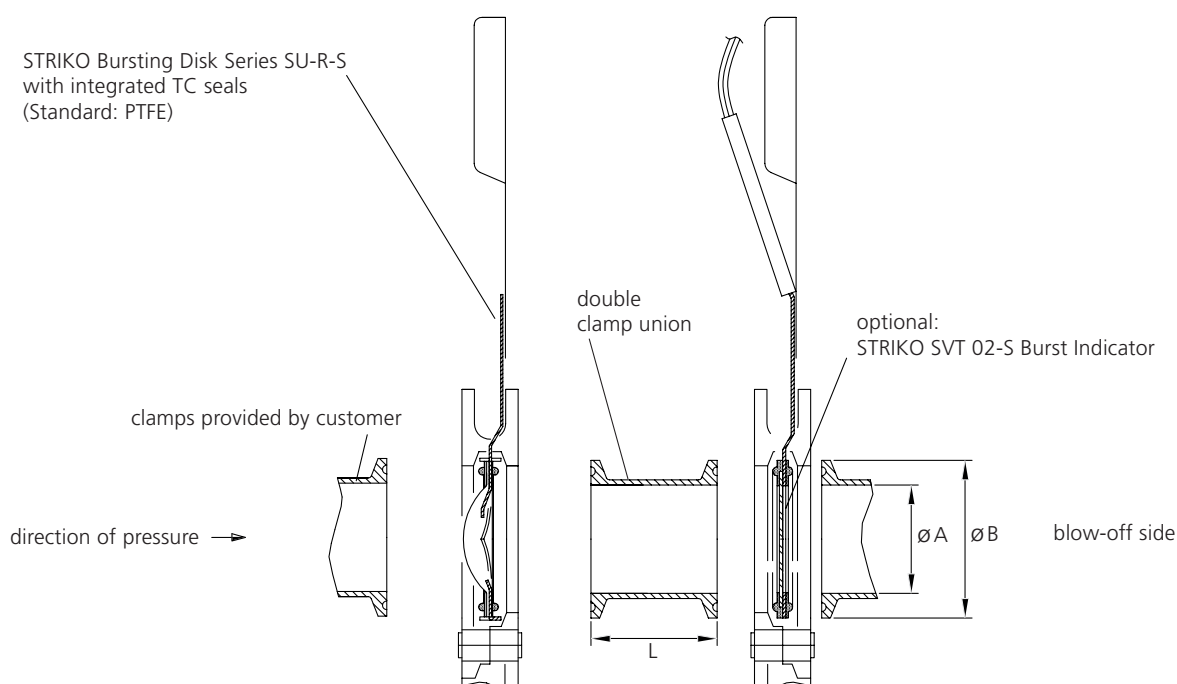
Technical data

operating temperatures:	-30°C to +220°C (SVT AM-S to +260°C)
max. current strength:	50 mA
max. opening resistance:	20 Ohm
supply voltage:	variable, observe max. amperage (50 mA)



Technical specification

Nominal Width			Dimensions [mm]					Bursting Pressure [bar(g)]	
DIN	ASME	ISO	ØA (DIN)	ØA (ASME)	ØA (ISO)	ØB	L	min.	max.
	1"			22,1		50,5	43,0	0,4	16,0
25		33,7	26,0		29,7			0,3	
40	1,5"		38,0	34,8				0,2	
50	2"		50,0	47,5		64,0		0,15	
65	3"	76,1	66,0	72,9	72,1	91,0		0,125	10,0
100	4"		100,0	97,4		119,0	56,0	0,075	
125	5,5"	139,7	125,0	134,5	134,5	155,0		0,05	6,0
150	6,6"	168,3	150,0	163,1	163,1	183,0		0,035	



Verfahrenstechnik

STRIKO Verfahrenstechnik
 W. Strikfeldt & Koch GmbH
 Fritz-Kotz-Str. 14
 D-51674 Wiehl-Bomig

Telephone: +49 (0) 2261 9855-0
 Telefax: +49 (0) 2261 7 24 88
 E-Mail: info@striko.de
 Internet: www.striko.de