

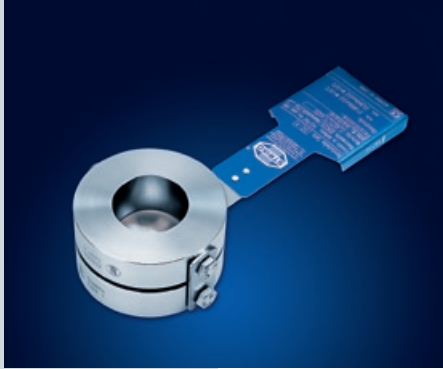
Pretorqued Holder PRO

Innovative Holder Systems
for Bursting Disk
Series SZ and SU

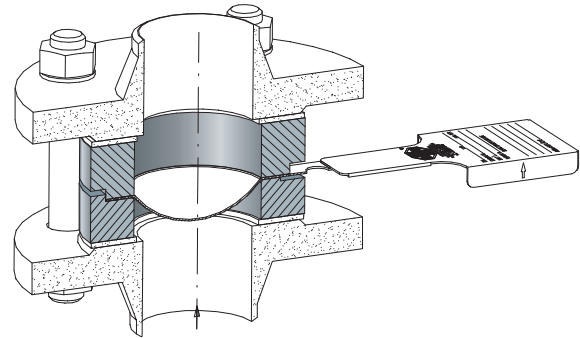


Verfahrenstechnik

The Function



Standard Bursting Disk Holders inserted in companion flanges just reach a firm and sealed fixation of the Bursting Disk in the Holder after torquing the flange screws. This means that also the metallic seal between Bursting Disk and Holder will get lost after the loosening of the flange connection.



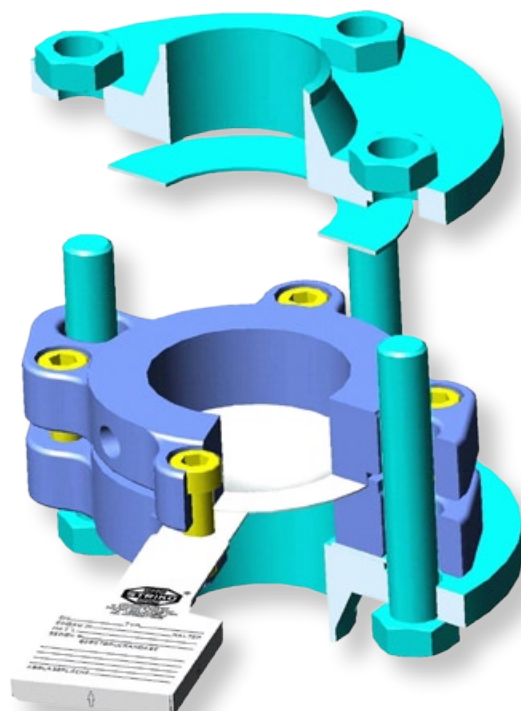
Even if the Bursting Disk is just removed due to checking matters a reinstallation should be urgently avoided due to a high risk of leakage.



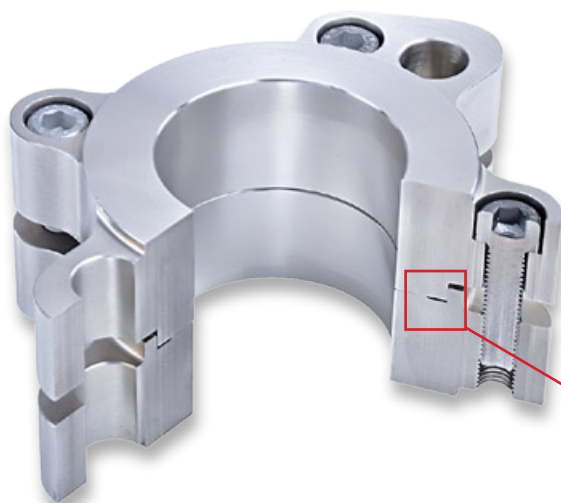
The **PRO-Holders** are „pretorqued“-Holders where the required tightening torque for a safe and sealed installation of the Bursting Disk is already given due to very robust high-tensile screws.

By using the PRO-Holder it is always possible to open the flange connection during a shutdown. This allows visual checks or cleaning of the Bursting Disk as well as a change of necessary replacements of flange gaskets without the need of a new Bursting Disk.

Two through-holes, manufactured in compliance with the related flange standard, guarantee an accurate centring of the Holder.

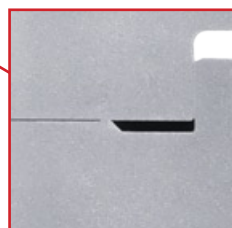


The Advantage



The Advantages of STRIKO PRO-Holders:

1. Guaranteed generation of a metallic sealing between Bursting Disk and Holder inlet, independent of the flange connection's conditions (non-fitting flanges, misalignment)
2. Precise function of the Bursting Disk, perfect opening
3. Checks of the installed Bursting Disk can be done without changing new replacements
4. Storage reduction through standardization of Holders
5. Convenient installation of the Holder/Bursting Disk unit in the workshop
6. Simplified installation of the pre-assembled unit in the plant through centring by flange screws
7. Prolonged life-time of the Bursting Disks due to perfect fitting of Disk and Holder
8. Shortening of shutdown-times up to 80% (after the opening of a Bursting Disk)



Detail view of the metallic bite for generating the metallic sealing between Bursting Disk and Holder Inlet

Application Areas

Sensitive Steel-Enamel-/Glass- /Plastic Tubes:

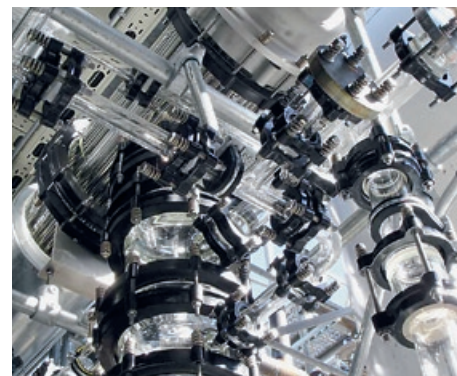
The relevant flanges and/or the mating surfaces are highly breakable and therefore to be connected with low tightening torques of the screws. The Pro-Series pre-tension functioning takes over the required surface pressure for the Bursting Disks and Holder. As a result of this function just low tightening torques are necessary for the generation of the sealing between flanges and Bursting Disk Holder.

Polymerization Processes / Tendency to Fouling:

Applications of this type require a more frequent check of the safety devices. Using the pretorqued Holder allows the checking, and if necessary, cleaning of the Bursting Disk without loosening the metallic sealing in the Holder. The replacement of the Bursting Disk required up to now is no more necessary.

Inappropriate Installation Point / Frequent Bursting Disk Replacement:

In case of highly or distantly positioned installation points the personal walking times often take up nearly 80% of the shutdown times after a Bursting Disk breakage. Using the Pro-Series Holder allows the ready-to-use assembly and provision of Bursting Disk and Holder as a complete replacement part. Inefficient ways with interim cleaning and installation in the workshop are no more necessary as the complete unit can be replaced right at the installation point as quickly as possible and the equipment can be made operational again within shortest time.



Technical Specification

Possible Flange Connections			
Nominal Diameter/Size		DIN Pressure Range	ANSI Rating
DN 25	1"	10 bis 160	150 bis 600
DN 40	1½"	10 bis 160	150 bis 600
DN 50	2"	10 bis 63	150 bis 600
DN 65	2½"	10 bis 63	150 bis 600
DN 80	3"	10 bis 63	150 bis 600
DN 100	4"	10 bis 40	150 bis 400
DN 125	5"	10 bis 40	150 bis 300
DN 150	6"	10 bis 40	150 bis 300

Measures and Weights							
Nominal Diameter/Size		Installation Height (excluding seals)		Weight		High-tensile Screws DIN 912 - 14.9	
		Standard	Minimum	(Standard size)		Size	Length
DN 25	1"	54 mm	40 mm	2,0 kg	4,4 lb	M 8	30 mm
DN 40	1½"	57 mm	42 mm	4,0 kg	8,8 lb	M10	40 mm
DN 50	2"	69 mm	55 mm	5,0 kg	11,0 lb	M10	40 mm
DN 65	2½"	80 mm	65 mm	7,5 kg	16,5 lb	M12	50 mm
DN 80	3"	80 mm	65 mm	8,5 kg	18,7 lb	M12	50 mm
DN 100	4"	80 mm	68 mm	11,0 kg	24,2 lb	M12	50 mm
DN 125	5"	85 mm	75 mm	18,0 kg	40,0 lb	M12	50 mm
DN 150	6"	94 mm	84 mm	20,0 kg	44,1 lb	M16	60 mm

Materials:

Holder: Up to DN 80: Bar Steel 1.4571 - DIN EN 10058
 DIN EN 10204/3.1 - EN 10272 AD2000-W2 - EN 1088-3
 As from DN 100: Metal Sheet 1.4571 - EN 10028-7
 DIN EN 10204/3.1 - EN 10272 AD2000-W2 - EN 1088-3
 Special Materials / Liners made of Hastelloy, Duplex, PTFE ect. on Request

Screws: Hexagon Socket Screws DIN 912 ISO 4762 - Steel – Firmness Classification 14.9
 Fins-coated, Zinc-aluminium Basis
 (Corrosion-protected: more than 720 h in the Salt Spray-Test)



Verfahrenstechnik

STRIKO Verfahrenstechnik
 W. Strikfeldt & Koch GmbH
 Fritz-Kotz-Str. 14
 D-51674 Wiehl-Bomig

Telefon: +49 (0) 2261 9855-0
 Telefax: +49 (0) 2261 7 24 88
 E-Mail: info@striko.de
 www.striko.de