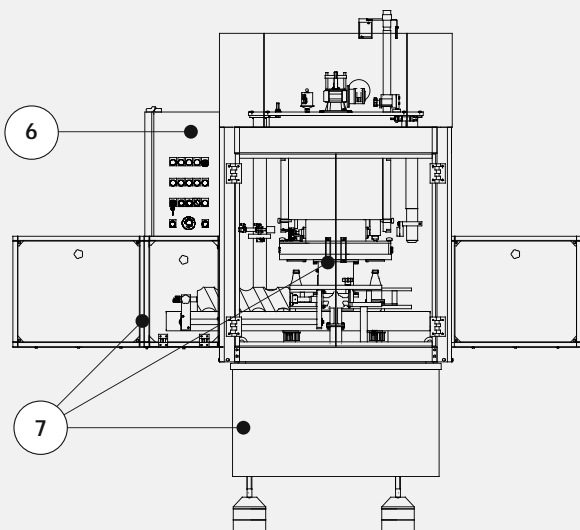
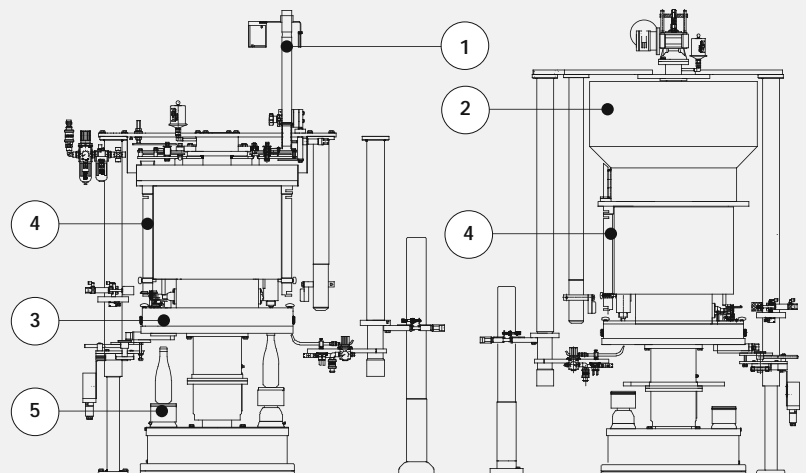


SPEED PRODUCTION	UP TO 250 BPM / 15.000 BPH
MAIN MARKET	WINE
CAPS APPLICATION	MUSHROOM CORKS (F VERSION) • NATURAL STRAIGHT CORKS (R VERSION)
VERSIONS	
STANDARD	STRUCTURE WITH PAINTED STEEL COMPONENTS. NOT WASHABLE
OPTIONS	
OTHER	N ₂ INJECTION DEVICE (ONLY "R" AND "RF" VERSION) • GAS EVACUATION FROM BOTTLE-NECK (ONLY "R" AND "RF" VERSION) • DUST EXTRACTION
FT SYSTEM INSPECTIONS	CORKS INSPECTION BEFORE CAPPING • CORKS PRESENCE • FILLING LEVEL CONTROL

1. CORKS FED BY DISC • 2. CORKS FEED BY HOPPER • 3. COMPRESSING UNIT BOX • 4. CAPS CHUTE • 5. BOTTLE-LIFTING PISTONS
 • 6. ELECTRICAL BOARD • 7. SAFETY GUARDS



FREE STANDING EXECUTION



CAPPING TURRET ONLY EXECUTION

SATURNO R•RF•F



Gas evacuation from bottle-neck



SATURNO compressing unit



Corks feed by hopper



CORKER FOR NATURAL, AGGLOMERATED AND SYNTHETIC CORKS



AROL
(Head Quarter)
viale Italia, 193
14053 CANELLI (AT) - ITALY
ph. +39 0141 820500

AROL HEXAGONE
16, Bd Kennedy
34500 BEZIERS
FRANCE
ph. +33 4 67 98 93 53

AROL GERMANY
Karl-Brauckmann-Str. 14
59469 HOLZWICKEDE
DEUTSCHLAND
ph. +49 0 2301 949 3976

AROL ESPAÑA
C/Llull, 321-329
Edificio CINC
08019 BARCELONA
ESPAÑA
ph. +34 933-091 646

**FT SYSTEM
control & inspection**
Via L. Da Vinci, 117
29010 ALSENO (PC) - ITALY
ph. +39 0523 949777

AROL CHINA
意爱逻包装机械(上海)有限公司
地址: 上海市松江区南乐路1276弄
115号5幢102室厂201600中国
电话: +86 021 57771952

AROL INDIA
Pune IT Park, A 401/3,
34 Aundh Road Bhau Patil Marg,
Pune Maharashtra - 411 020 INDIA
ph. +91 20 3939 5603

AROL NORTH AMERICA
450 Satellite Blvd, NE
SUWANEE, GEORGIA 30024 - USA
ph. +1 678 318 1290

AROL LATIN AMERICA
Bosque Radiatas #18, Oficina 502
Col. Bosques de las Lomas,
Cuajimalpa
C.P.05120, México, D.F., MÉXICO
ph. +52 (55) 1327-8618/8817

AROL BRASIL
Pça. Alfa de Centauro, Nº 54 -
1º andar - sala 111
Centro de Apoio II Alphaville -
Santana do Parnaíba -
São Paulo (SP) - CEP 06541 075
BRASIL
ph. +55 11 4156-2176