



Bladder accumulator series EBV

Construction

Bladder accumulator with sieve plate, pressure vessel of steel, welded, heavy duty gas inlet valve, detachable.

Charge pressure PO

Between 0,9 P1 and 0,2 P2, but not higher than the operating pressure.

Other pressure ratios on request.

Temperature range

Standard model -20 °C to +100 °C

Other ranges on request.

Volumetric flow Q

The max. values given in the selection table apply only for a vertical installation (hydraulic assembly downwards).

For horizontal installation or higher flow rates please contact OLAER.

Hydraulic fluids

Hydraulic oil (mineral oil)

Other mediums, such as biodegradable hydraulic oil, non-flammable liquids, water, emulsions, fuels, ect. should be specified at the time of ordering.

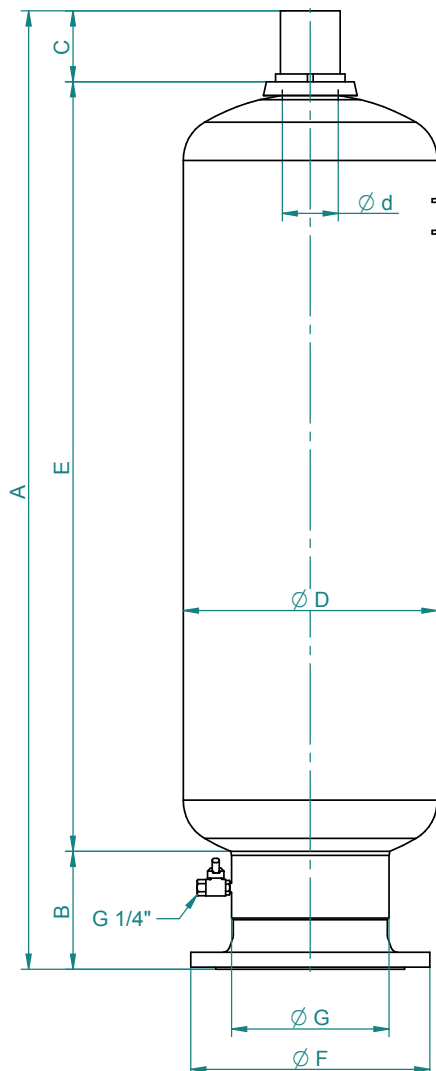
Installation

Vertical (hydraulic assembly downwards) to horizontal.

Leave a space of 200 mm free above the gas inlet valve for attaching the tester and pressurizer instrument.

Method of mounting

Clamps see data sheet OSP 775 "Accumulator-Accessories".



Model	Gasvol. V0 liter	Work pressure bar	Weight kg	Q max. l/min	Dimensions in mm							
					A	B	C	Ø D	Ø d	E	F	Ø G
EBV 100 – ... / ...	90	auf Anfrage	125	3000	1315	158	93	368	80	1064	DN 200 oder ANSI 8"	236
EBV 200 – ... / ...	202	auf Anfrage	210	3000	2526	158	93	368	80	2275	DN 200 oder ANSI 8"	236

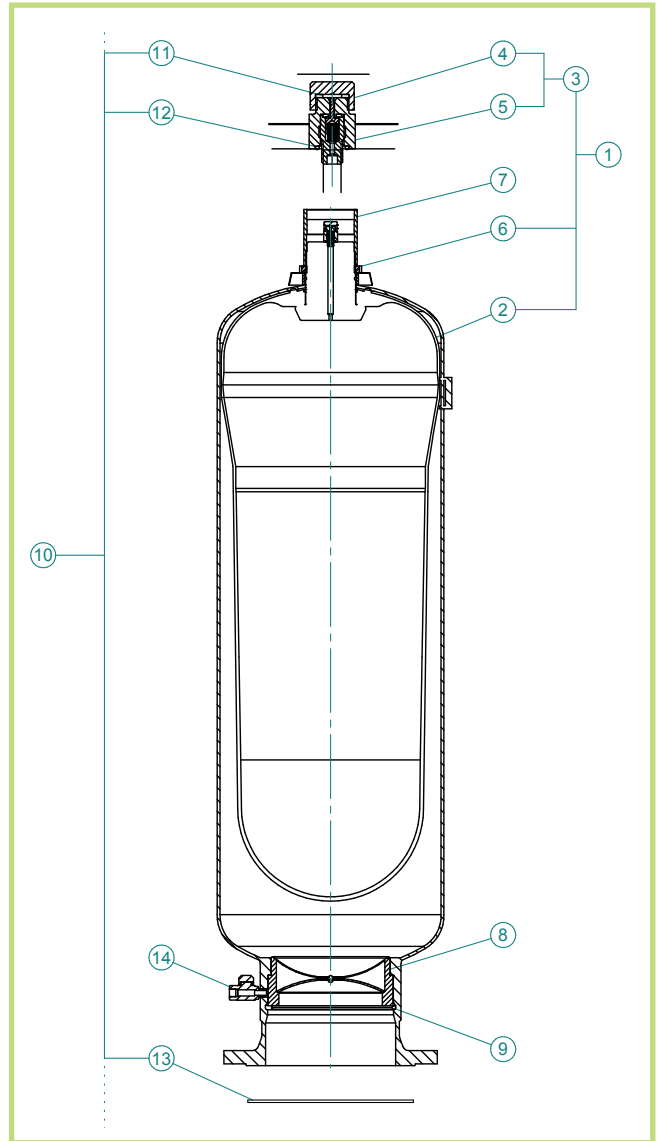
Spare parts lists

Models: EBV 100 and EBV 200 liter

Pos.	Part
1	Bladder assembly ød*
2	Bladder
3	Gas inlet valve assembly
4	Valve cap and gasket
5	Gas inlet valve and gasket
6	Nut
7	Protective cap
8	Sieve plate
9	Snap ring
10	Gasket assembly (contains all gaskets)
11	Flat seal
12	O-ring
13	Flat seal
14	Ball valve

Important informations

- The technical data on the manufacturer's nameplate must be indicated on the order.
- The accumulator shell is not available as a spare part.
- Quality code used for the bladder.



Certifications possible

Possible country approvals for industry

Nickname / Short description	Admission society
CE n. EN 13445 oder AD 2000	PED
ASME Product Certification Mark (ehemals ASME U-Stamp)	American Society of Mechanical Engineers
TRG (SQL)	Manufacture License of Special Equipment People's Republic of China
GOST - R	Gosgortekhnadzor
GOST - K	Kastechnadzor
GOST - B	Gospromnadzor
NB	The National Board of Boiler & Pressure Vessel Inspectors
RTN	Rostekhnadzor
KGS	Korean Gas Safety
MKE	South Korea Ministry of Knowledge & Economy
JIS	Japan Industrial Standard
NR13	Brazilian Regulations
CRN	Canadian Registration Number
AS1210	Australian Standard
MOM	Ministry of Manpower Singapore
DOSH	Department of Occupational Safety and Health Malaysia

Marine certifications

Nickname / Short description	Admission society
ABS	American Bureau of Shipping
BV	Bureau Veritas Marine
DNV	Det Norske Veritas
GL	Germanischer Lloyd
RS	Russian Register Maritime of Shipping
LR	Lloyds Register EMEA
RINA	Registro Italiano Navale
CCS	China Classification Society
IRS	Indian Register of Shipping
RRR	Moscow Branch Office of Russian River Register
NK	NIPPON KAIJI KYOKAI (ClassNK)