

Company

Products

News

Distribution

Service/Downloads

Contact

BRECOFLEX[®] TIMING BELTS

BRECO[®] TIMING BELTS

BRECO[®] ATN-System

Timing belts with coatings

Mechanical rework

Welded-on profiles

Components

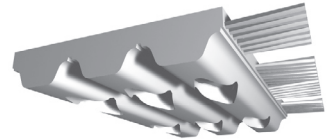
BRECO[®] ATN-System



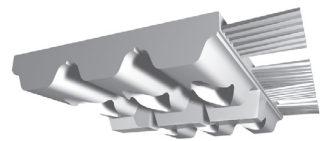
Our product range of BRECO[®]-ATN-TIMING BELTS

ATN-Timing belts (M/V)

ATN10
ATN12,7
ATN20
ATNS20



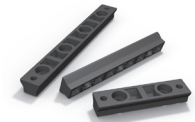
ATN10K6
ATN12,7K6



ATN-timing belt lock



ATN-profiles



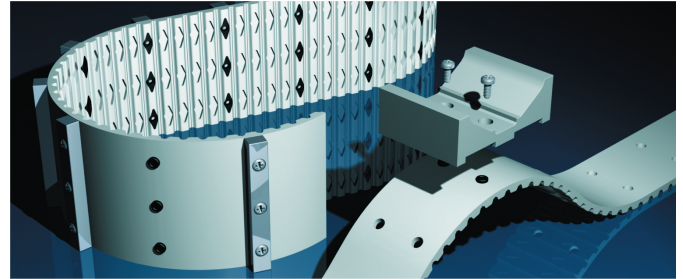
ATN inset parts



ATN-screws



ATN - Flexibility as standard



ATN - the transport timing belt with multiple possibilities

The ATN timing belt is especially designed for application in the transport technology. The exchangeable profile fastening system in the belt tooth permits fast fitting and replacement of the flights individually manufactured for the conveying application concerned.

This flexibility provides a great variety of application possibilities, not to be realised up to now, compared to other profile fastening systems, as e.g. welding. If required, it is possible to convey different types of goods in one transport system using the same timing belt, but equipped with different profiles.

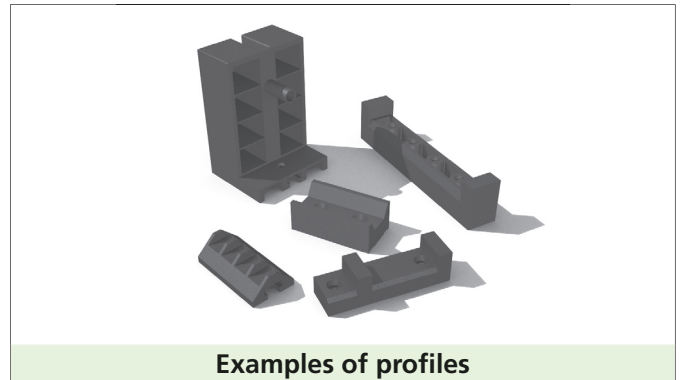
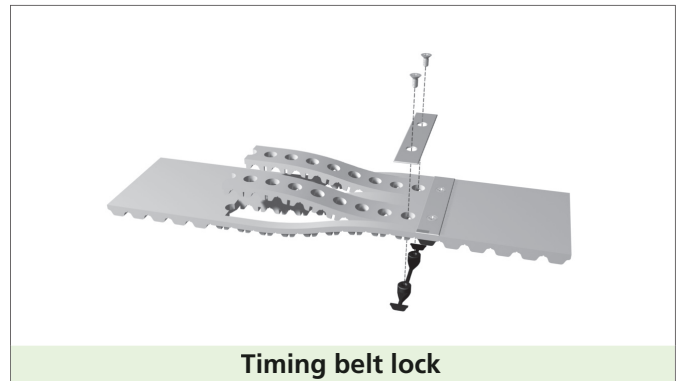
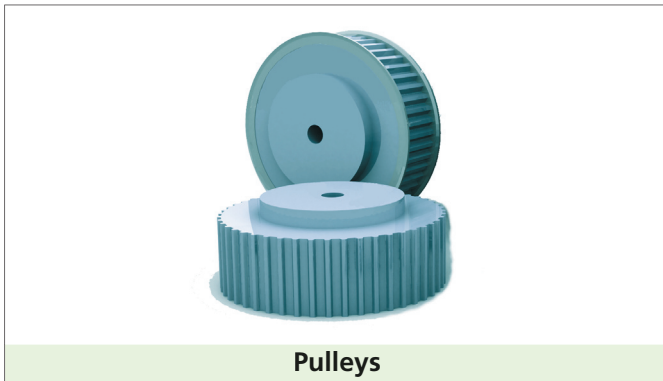
Convincing advantages

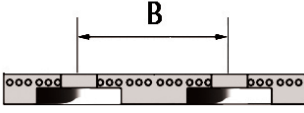
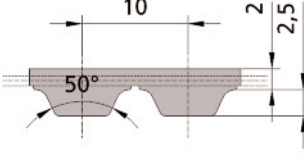
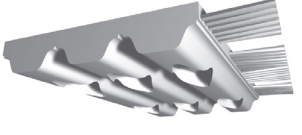
- the belt is part of a modular design consisting of the ATN timing belt, fastening elements, the ATN timing belt lock and flights/profiles
- variable profile pitches with a high accuracy
- Application of various profile materials is possible (plastics, metal, ceramics, ...)
- high shearing forces
- fast and easy profile change when the products to be transported are changed or the profiles are worn
- no belt deinstallation for profile changes
- Alternative to a chain with all advantages of a timing belt
- Self-alignment of the profiles during installation
- Application of standard pulleys
- high optical quality
- various fastening possibilities
- Cost effective for the user:
 - Standard belt with a high availability and variability
 - short machine shut-down times for profile changes
 - low test costs because of changeability of the profiles (prototypes)
 - low spare parts and mounting costs

ATN system

Additional to our product range of ATN timing belts extensive accessories are available. Inset parts and screws in various materials for special applications, the ATN timing belt lock in different versions and individual manufactured profiles to be screwed or pushed on are also part of the system as pulleys and guide rails for a safe timing belt guidance.

For further information about the ATN system, please request for our special brochure.



Cross section	Standard	Standard
		
ATN	ATN 10	ATN-profile

Belt widths b [mm]			
25	50	75	100
Number of shapes per tooth:			
1	2	3	4
Space B: 25 mm			

Preferred delivery: Rolls of 50 or 100 m.
Please specify shorter dimensions (cut to length) and lengths above 100 m separately.

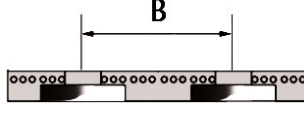
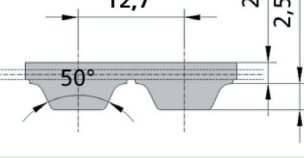

Endless joined minimum length (V): 880 mm

Available versions ATN 10

- **ATN 10:** Standard
- **ATN 10 DC:** around 0,9 mm of thicker belt back for timing belt lock design DC
- **PAZ:** Nylon tooth facing (white)

(Continuation available versions)

- **PAR:** Nylon facing on the back of the belt (green)
- **PAZ-PAR:** Nylon facing on both sides (white-green)

Cross section	Standard	Standard
		
ATN	ATN 12,7	ATN-profile

Belt widths b [mm]			
25	50	75	100
Number of shapes per tooth:			
1	2	3	4
Space B: 25 mm			

Preferred delivery: Rolls of 50 or 100 m.
Please specify shorter dimensions (cut to length) and lengths above 100 m separately.

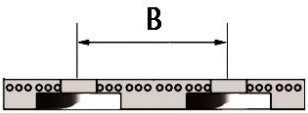
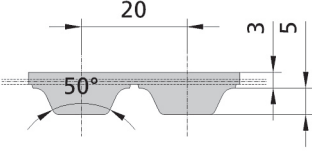
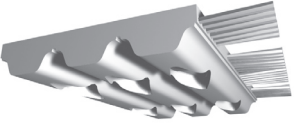
Endless joined minimum length (V): 880 mm

Available versions ATN 12.7

- **ATN 12.7:** Standard
- **ATN 12,7 DC:** around 0,9 mm of thicker belt back for timing belt lock design DC
- **PAZ:** Nylon tooth facing (white)

(Continuation available versions)

- **PAR:** Nylon facing on the back of the belt (green)
- **PAZ-PAR:** Nylon facing on both sides (white-green)

Cross section	Standard	Standard
		
ATN	ATN 20	ATN-profile

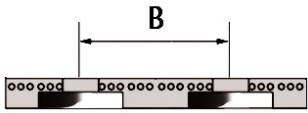
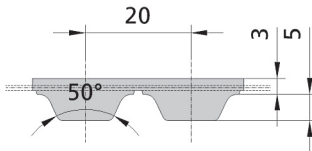
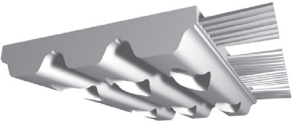
Belt widths b [mm]		
50	75	100
Number of shapes per tooth:		
2	3	4
Space B: 25 mm		

Preferred delivery: Rolls of 50 m.
Please specify shorter dimensions (cut to length) and lengths above 50 m separately.

Endless joined minimum length (V): 1000 mm

Available versions ATN 20

- **ATN 20:** Standard
- **PAZ:** Nylon tooth facing (white)
- **PAR:** Nylon facing on the back of the belt (green)
- **PAZ-PAR:** Nylon facing on both sides (white-green)

Cross section	Standard	Standard
		
ATN	ATNS 20	ATN-profile

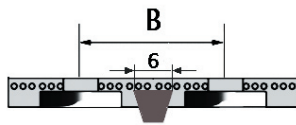
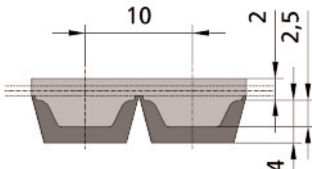
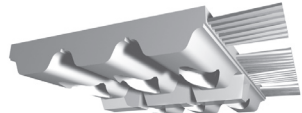
Belt widths b [mm]	
50	75
Number of shapes per tooth:	
2	2
Space B: 32 mm	

Preferred delivery: Rolls of 50 m.
Please specify shorter dimensions (cut to length) and lengths above 50 m separately.

Endless joined minimum length (V): 1000 mm

Available versions ATNS 20

- **ATNS 20:** Standard with reinforced tension member
- **PAZ:** Nylon tooth facing (white)
- **PAR:** Nylon facing on the back of the belt (green)
- **PAZ-PAR:** Nylon facing on both sides (white-green)

Cross section	Standard	Standard
		
ATNK	ATN 10 K6	ATNK-profile

Belt widths b [mm]		
50	75	100
Number of shapes per tooth:		
2	3	4
Space B: 25 mm		

Preferred delivery: Rolls of 50 or 100 m.
Please specify shorter dimensions (cut to length) and lengths above 100 m separately.

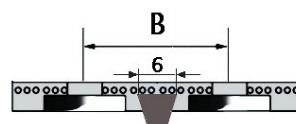
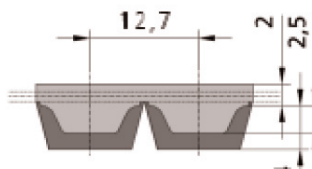
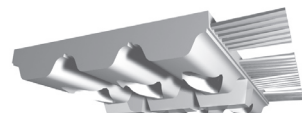
Endless joined minimum length (V): 1000 mm

Available versions ATN 10K6

- **ATN10K6:** Standard
- **ATN10K6 DC:** around 0,9 mm of thicker belt back for timing belt lock design DC
- **PAZ:** Nylon tooth facing (white)

(Continuation available versions)

- **PAR:** Nylon facing on the back of the belt (green)
- **PAZ-PAR:** Nylon facing on both sides (white-green)

Cross section	Standard	Standard
		
ATNK	ATN 12,7 K6	ATNK-profile

Belt widths b [mm]		
50	75	100
Number of shapes per tooth:		
2	3	4
Space B: 25 mm		

Preferred delivery: Rolls of 50 or 100 m.
Please specify shorter dimensions (cut to length) and lengths above 100 m separately.

Endless joined minimum length (V): 1000 mm

Available versions ATN 12.7K6

- **ATN12.7K6:** Standard
- **ATN12,7K6 DC:** around 0,9 mm of thicker belt back for timing belt lock design DC
- **PAZ:** Nylon tooth facing (white)

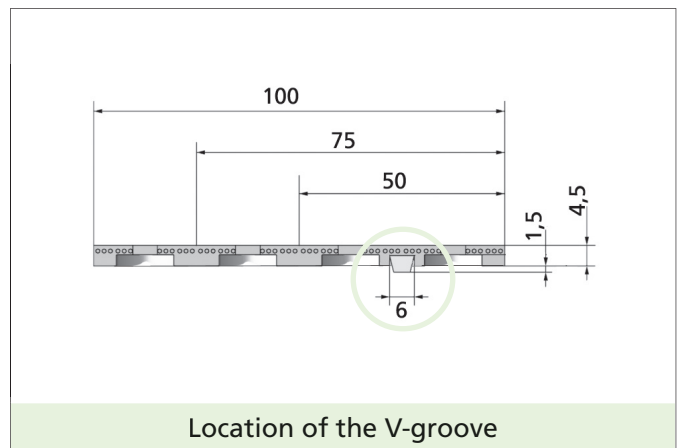
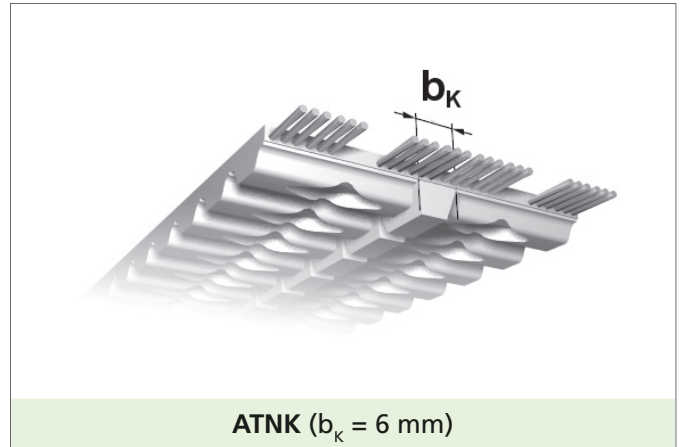
(Continuation available versions)

- **PAR:** Nylon facing on the back of the belt (green)
- **PAZ-PAR:** Nylon facing on both sides (white-green)

Information

In the ATN10K6 and ATN12.7K6 the location of the V-groove is only symmetrical in the 50 mm wide belt from the technical feasibility point of view. In the 75 and 100 mm wide belts it is located between the 1st and 2nd forming for the inset parts (figure below). Therefore, the location of the V-groove is to be considered when mounting the pulley and the flights.

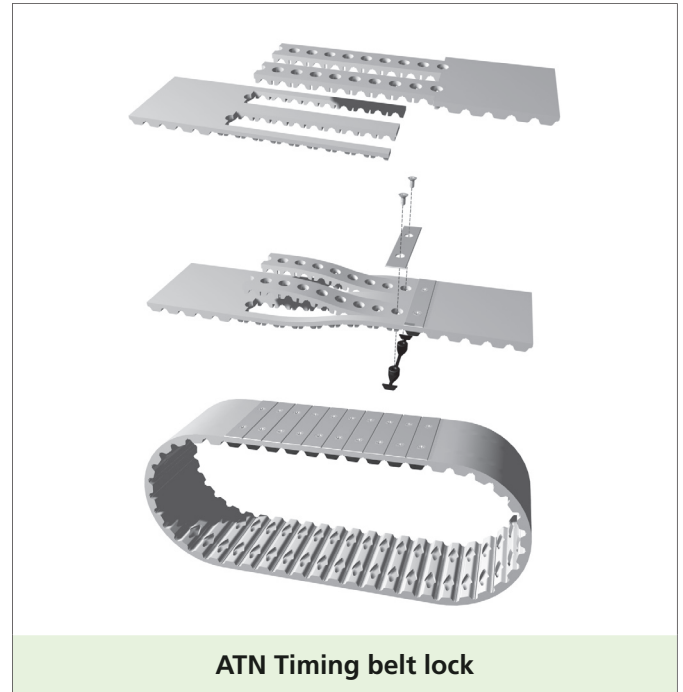
For further information about the ATN-system, please request for our special brochure.



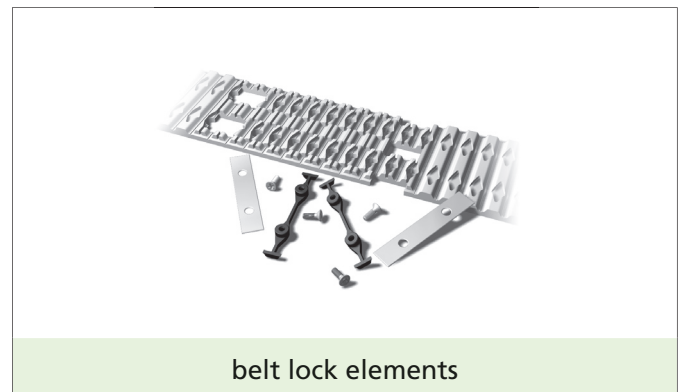
ATN timing belt lock

The timing belt lock especially developed for the ATN is a detachable connection and is used where the ATN timing belt can, for constructional reasons, only be connected endless once it is fitted into the transport line.

Connection elements made of high tensile polyamide and plates made of spring band steel guarantee a reliable connection of the belt ends. The user can select between three or two different versions depending on the belt type.



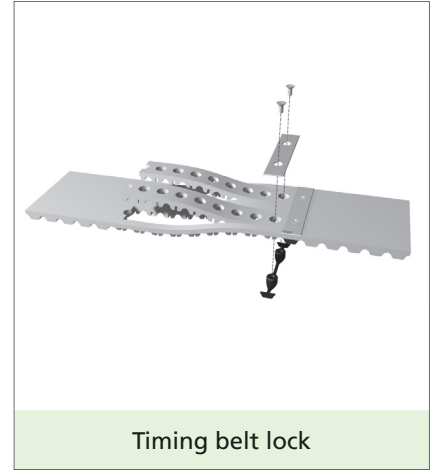
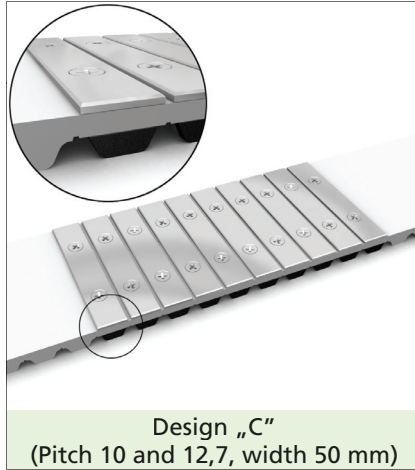
The inset parts, screws, back plates and the connection elements for the profile assembly are offered by us as standard according to the lock design.



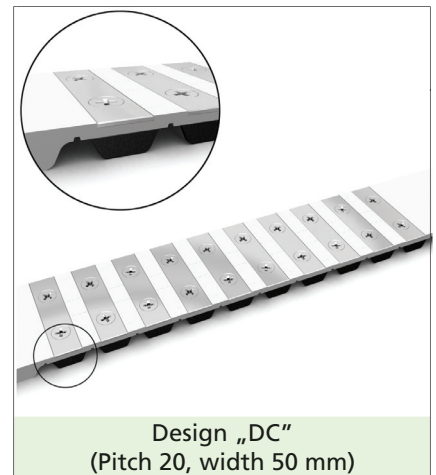
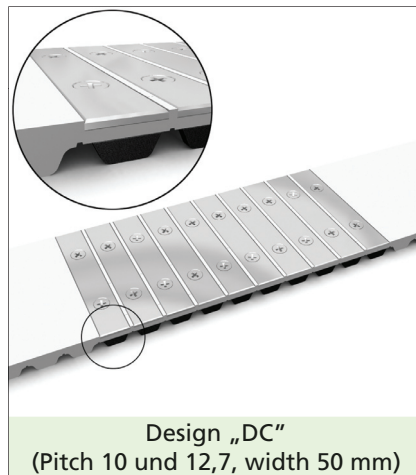
Available versions

Belt type / pitch	Design C	Design DC / DC-PRO
ATN10	●	●
ATN12,7	●	●
ATN20	-	●
ATNS20	-	●
ATN10 K6	●	●
ATN12,7 K6	●	●
<ul style="list-style-type: none"> ● available - not available 		

Design „C“: Back plates are screwed on the belt backs, profile installation in the lock area not provided for.

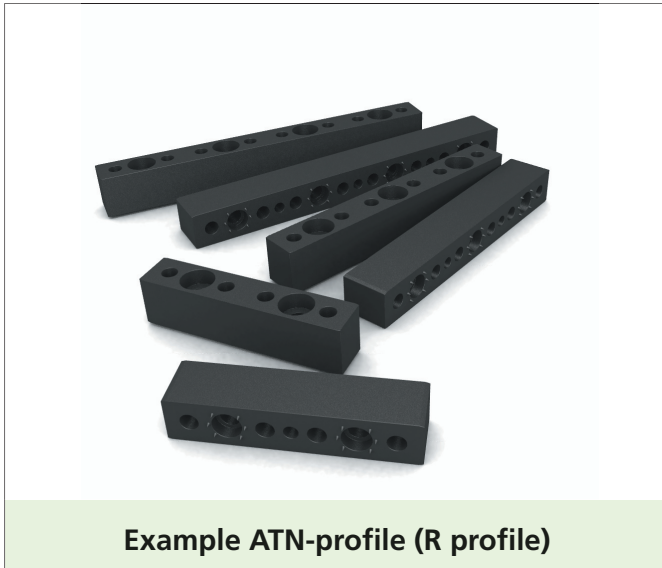


Design „DC“: Back plates embeded in the back of the belt, profile installation in the lock area not provided for.



Design „DC-PRO“: Back plates embeded in the back of the belt, to mount profiles in the lock area. The appropriate lock elements for mounting profiles in the lock area are delivered as standard.





ATN adapter

Two possibilities to fasten the ATN profiles are offered. The profile can be directly screwed to the back of the belt or pushed on an adapter. Pushing can be required when the profile shape does not allow the profile to be screwed on.

The adapters manufactured by us guarantee a reliable fastening with the respective profiles. This manner allows the profiles to be easily and quickly changed.

It is not required to replace inset parts because the adapters need not to be loosened during profile changes. Furthermore, longer screws are not required for fastening different profile heights.

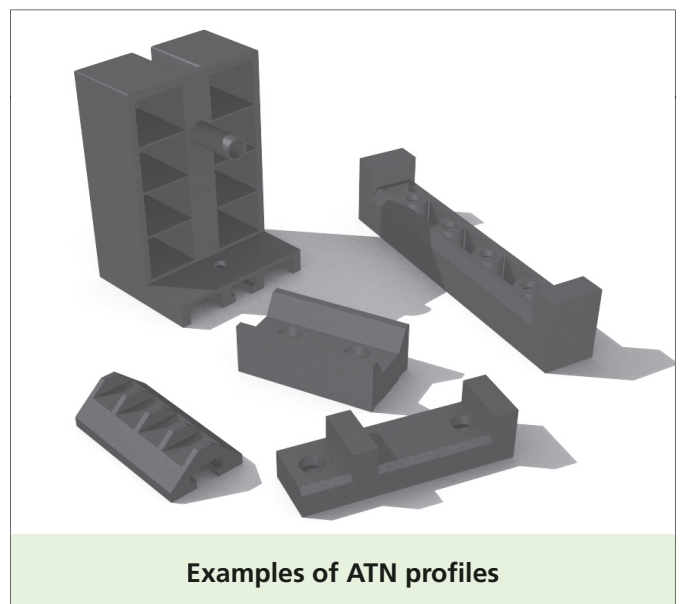
ATN profiles

We manufacture individually adapted ATN profiles to be screwed or pushed on using ATN adapters for the transport of the most varied products. The material used by us made of polyamide has proven itself in numerous applications and guarantees a reliable accommodation of your products to be transported. The material is suitable for the application in a temperature range of 0°C to 80°C. A temporary contact temperature of 120°C is possible

For a reliable profile fastening only use the profile fastenings recommended by us according to our information on page 12.

The displayed profiles are a small selection of shapes already realised. We design and manufacture the respective shape in our own tool manufacture according to your data. For this reason, a swift order processing, the function of the product and a reliable delivery is guaranteed.

Our ATN assembly groups offer you the optimum solution for your transport system from one source.





Inset parts and screw types

We provide plastic, brass and VA steel inset parts and the respective screw types to fasten the profiles on the timing belts.

Screw connection with black polyamide inset part

Screw types:

EJOT Delta PT® screw made of tempering steel according to EJOT® WN 5461 part 2, with mushroom head and cross recess Z according to EJOT® WN 5411. *

Screw type	Inset part
	
EJOT Delta PT®	black polyamide


***Note:** For a high reliability of the screwed connection, we recommend the exclusive application of original EJOT Delta PT® screws according to the above mentioned specification. These screw types were especially designed for thermoplastic components and provide the required safety and reliability during mounting and use both under static and dynamic load. All screws have a head with Z cross recess in size 2. These screws are available from your Mulco partner ex stock.

Attention: The Delta PT® screws have no metrical ISO coarse-pitch thread according to DIN 13, thus, they are only suitable for plastic inset parts.

Screw connection with brass inset part

Screw types:



Cheese head screws according to DIN 7984 (zinc-plated) with hexagon socket and pressed head**

Screw type	Inset part
	
Cheese head screws	brass

Screw connection with V2A inset part

Screw types:

Cheese head screws according to DIN 7984 (V2A material number 1.4301) with hexagon socket and pressed head**

Screw type	Inset part
	
VA-Cheese head screws	V2A

****Note:** These screws are exclusively designed for the application in brass and V2A inset parts. They are not selfthreading and insufficient for plastic inset parts.

Our distribution partner

Germany

Anton Klocke Antriebstechnik GmbH & Co. KG
Senner Straße 151
D-33659 Bielefeld
Phone: +49 521 95005-01
Fax: +49 521 95005-11
www.klocke-antrieb.de
info@klocke-antrieb.de

Hilger und Kern GmbH Industrietechnik
Käfertaler Straße 253
D-68167 Mannheim
Phone: +49 621 3705-0
Fax: +49 621 3705-403
www.hilger-kern.com
antriebstechnik@hilger-kern.com

Reiff -Technische Produkte- GmbH
Tübinger Straße 2-6
D-72762 Reutlingen
Phone: +49 7121 323-313
Fax: +49 7121 323-318
www.reiff-tp.de
zahnriemen@reiff-tp.de

Roth GmbH & Co. KG
Andernacher Straße 14
D-90411 Nürnberg
Phone: +49 911 99521-0
Fax: +49 911 99521-70
www.roth-ing.de
roth-info@roth-ing.de

Walter Rothermundt GmbH & Co. KG
Am Tannenbaum 2
D-41066 Mönchengladbach
Phone: +49 2161 69462-0
Fax: +49 2161 6644-69
www.rothermundt.de
info@rothermundt.de

Wilhelm Herm. Müller GmbH & Co. KG
Heinrich-Nordhoff-Ring 14
D-30826 Garbsen
Phone: +49 5131 4522-0
Fax: +49 5131 4522-110
www.whm.net
info@whm.net

Switzerland

Angst + Pfister AG
Thurgauerstraße 66
CH-8052 Zürich
Phone: +41 (0) 1 306 61 11
Fax: +41 (0) 1 302 18 71
www.angst-pfister.com
ch@angst-pfister.com

Netherlands

Angst+Pfister B.V.
Boerhaavelaan 19
NL-2713 HA Zoetemeer
Phone: +31 7932037 00
Fax: +31 7932037 99
www.angst-pfister.com
nl@angst-pfister.com

Belgium

Angst+Pfister N.V.S.A.
Kleine Laan 26 c
B-9100 Sint-Niklas
Phone: +32 37780128
Fax: +32 37778398
www.angst-pfister.com
be@angst-pfister.com

Italy

Angst+Pfister SpA
Via Montefeltro 4
I-20156 Milano
Phone: +39 2 30087 1
Fax: +39 2 30087 100
www.angst-pfister.com
it@angst-pfister.com

Schweden

Aratron AB
Box 20087
S-16102 Bromma
Phone: +46 84041 600
Fax: +46 89842 81
www.aratron.se
info@aratron.se

Norway

ARATRON AS
Postboks 214 Holmlia
N-1204 Oslo
Phone: +47 231916 60
Fax: +47 231916 61
www.aratron.no
firmapost@aratron.no

France

Binder Magnetic
1, Allée des Barbanniers
F-92632 Gennevilliers-Cedex
Phone: +33 146 13 80 80
Fax: +33 146 13 80 99
www.binder-magnetic.fr
info@binder-magnetic.fr

Denmark

BONDY A/S
Hassellunden 14
DK-2765 Smørum
Phone: +45 70 15 14 14
Fax: +45 44 64 14 16
www.bondy.dk
info@bondy.dk

Spain

Dinámica Distribuciones S.A.
Ctra. No. II, km 592,6
E-08740 S. Andreu de la Barca
Phone: +34 93 6 53 35 00
Fax: +34 93 6 53 35 08
www.dinamica.net
dinamica@dinamica.net

Austria

Haberkorn Ulmer GmbH
Modecenterstraße 7
A-1030 Wien
Phone: +43 17 43 10 30-0
Fax: +43 17 43 10 29
www.haberkorn.com
zr@haberkorn.com

Portugal

J. Baptista + Ca. Lda.
Rua dos Vanzeleros 337
P-4100-484 Porto
Phone: +351-2-606-1600
Fax: +351-2-609-2053
www.jbaptista.pt
jbaptista@jbaptista.pt

Finland

Movetec Oy
Hannuksentie 1
FIN-02270 Espoo
Phone: +35 8 9 5259 230
Fax: +35 8 9 5259 2333
www.movetec.fi
info@movetec.fi

Great Britain

Transmission Developments Co. (G.B.) LTD
Dawkins Road, Hamworthy
GB-Poole Dorset BH15 4HF
Phone: +44 1 20 2 67 55 55
Fax: +44 1 20 2 67 74 66
www.transdev.co.uk
sales@transdev.co.uk

Czech Republic

W. H. Müller s.r.o.
Pražákova 39
CZ-61900 Brno
Phone: +420 543 211 008
Fax: +420 543 217 468
www.whm.cz
whm@whm.cz

Poland

Wilhelm Herm. Müller Polska Sp. z o.o.
ul. Solna 20
PL-85-862 Bydgoszcz
Phone: +48 52 349 07 15
Fax: +48 52 349 00 75
www.whm.pl
whm@whm.pl

USA

BRECOflex Co., L.L.C.
222 Industrial Way West
USA-Eatontown, NJ 07724
Phone: +1 732 460-9500
Fax: +1 732 542-6725
www.brecoflex.com
info@brecoflex.com

