

ISO 9001:2008 by L.R.  
PED DIR. 97/23/EC by L.R.  
ATEX DIR. 94/9/EC by B.V.  
FIRE SAFE EXECUTION by L.R.  
ISO 15848 by TÜV  
ANTISTATIC DEVICE by L.R.  
FIRE SAFE TESTED ISO 10497 by L.R.

TYPE  
**FA3**  
PN 10 ÷ 40  
ANSI 150

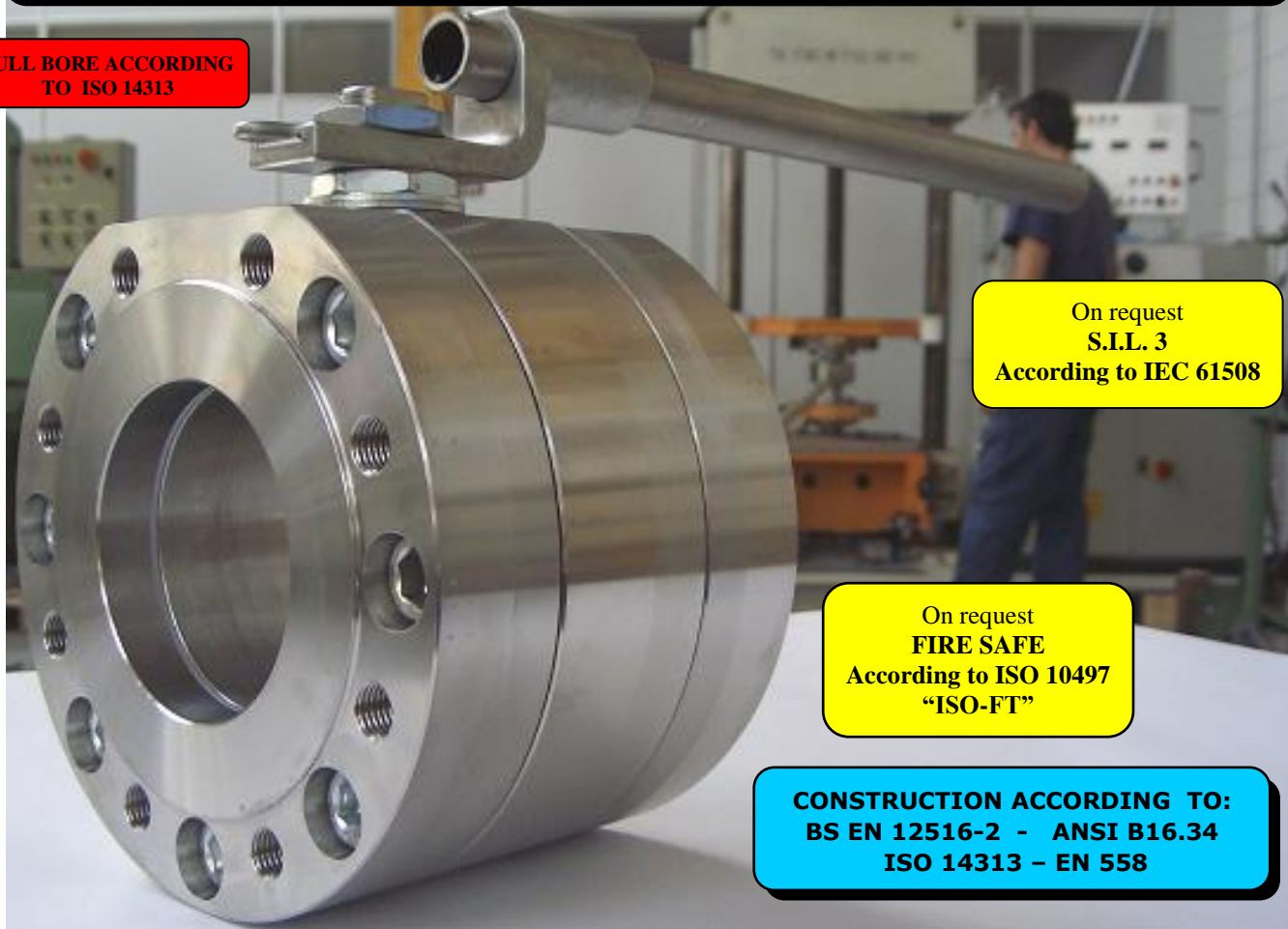
NORME E DIRETTIVE APPLICATE DISPONIBILI AL SEGUENTE LINK:  
STANDARD AND DIRECTIVE APPLIED AVAILABLE AT FOLLOWING LINK:  
[http://www.adlerspa.com/pdf/NORME\\_ADLER.pdf](http://www.adlerspa.com/pdf/NORME_ADLER.pdf)

## VALVOLE A SFERA "CORPO PIATTO" PASSAGGIO TOTALE

ISO nbr° LRC 0160281 QMS issued by L.R.Q.A.  
ATEX nbr° 40.2003.4392 issued by B.V.

PED nbr° COV 0212112/01 issued by L.R.V.  
ISO 15848 nbr° I-148466/1-/2 issued by TÜV

FULL BORE ACCORDING  
TO ISO 14313



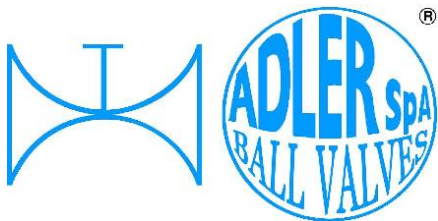
On request  
S.I.L. 3  
According to IEC 61508

On request  
FIRE SAFE  
According to ISO 10497  
"ISO-FT"

CONSTRUCTION ACCORDING TO:  
BS EN 12516-2 - ANSI B16.34  
ISO 14313 - EN 558

**BALL VALVES**  
**"WAFFER TYPE" FULL BORE**  
**ROBINETS A BOISSEAU SPHERIQUE**  
**"WAFFER" PASSAGE INTEGRAL 3 PIECES**  
**FLANSCHKUGELHÄHNE IN "KOMPAKTBAUWEISE"**  
**VOLLER DURCHGANG**

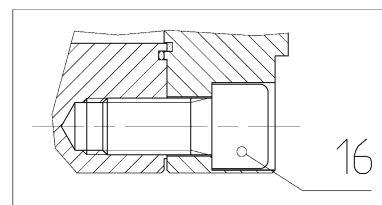
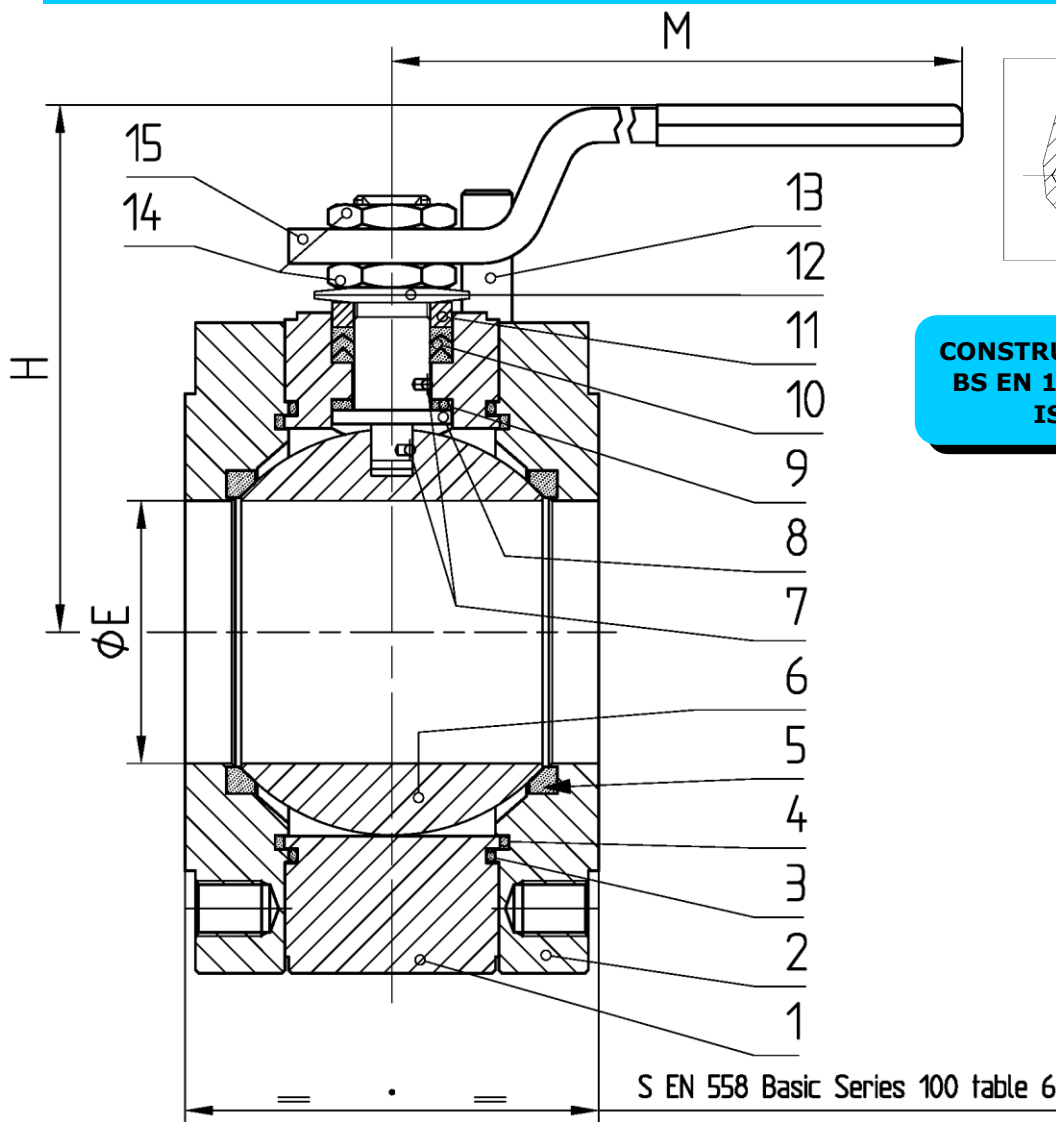
WEB SITE: [WWW.ADLERSPA.COM](http://WWW.ADLERSPA.COM)



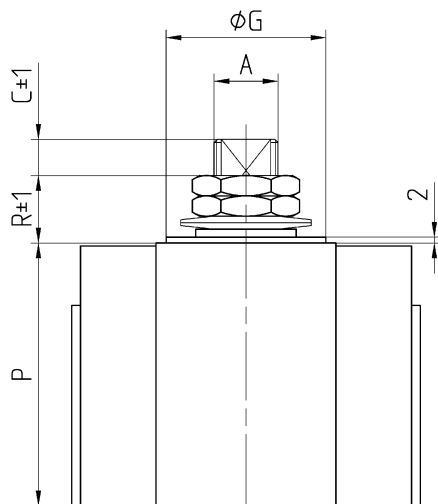
ISO 9001:2008 by L.R.  
 PED DIR. 97/23/EC by L.R.  
 ATEX DIR. 94/9/EC by B.V.  
 FIRE SAFE EXECUTION by L.R.  
 ISO 15848 by TÜV  
 ANTISTATIC DEVICE by L.R.  
 FIRE SAFE TESTED ISO 10497 by L.R.

TYPE  
**FA3**  
 PN 10 ÷ 40  
 ANSI 150

**VALVOLA A SFERA "CORPO PIATTO" PASSAGGIO TOTALE**  
**BALL VALVES "WAFER TYPE" FULL BORE**  
**ROBINETS A BOISSEAU SPHERIQUE "WAFER" PASSAGE INTEGRAL 3 PIECES**  
**FLANSCHKUGELHÄHNE IN "KOMPAKTBAUWEISE" VOLLER DURCHGANG**

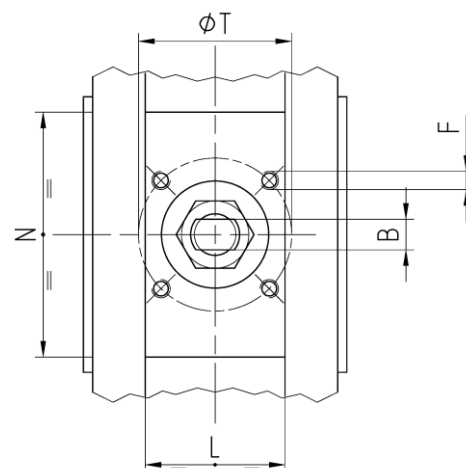


**CONSTRUCTION ACCORDING TO:**  
 BS EN 12516-2 - ANSI B16.34  
 ISO 14313 - EN 558



- ACCOPIAMENTO VALVOLA ATTUATORE
- CONNECTION VALVE ACTUATOR
- ACCOUPLEMENT ROBINET-ACTIONNEUR
- ZUSAMMENBAU KUGELHAHN ANTRIEB

**ISO-5211**



N.	DESCRIZIONE DESCRIPTION DESCRIPTION BESCHREIBUNG	MATERIALI MATERIALS MATERIAUX WERKSTOFFE	N.	DESCRIZIONE DESCRIPTION DESCRIPTION BESCHREIBUNG	MATERIALI MATERIALS MATERIAUX WERKSTOFFE
1	CORPO BODY CORPS KÖRPER	ASTM A479 304/304L ASTM A479 316/316L	9*	BUSSOLA STEM SEAL JOINT TIGE UNTERE SPINDELABDICHTUNG	P.T.F.E.
2	LATERALE END LATERAL GEGENGEHÄUSE	ASTM A479 304/304L ASTM A479 316/316L	10*	PACCO A "V" CHEVRON RINGS JOINT A "V" 3 FACHE DACHMANSCHETTE	P.T.F.E. / GRAFITE P.T.F.E. / GRAPHITE P.T.F.E. / GRAPHITE P.T.F.E. / GRAPHIT
3*	O-RING	FKM - (VITON)	11	PREMIBUSSOLA PRESSING BUSH PRESSE RONDELLE STOPFBUCHSDRUCKRING	ASTM A479 304
4*	ANELLO SEAL ANNEAU DICHTUNGSRING	P.T.F.E.	12	MOLLE A TAZZA SPRING WASHERS RONDELLES BELLEVILLE TELLERFEDERN	C72/50Cr V4 ZINCATO - GALVANIZED - ZINGUE - VERZINKT X5CrNi17.7 or ON REQUEST X12CrNi17.7
5*	SEDE SEAT SIEGE SITZRING	P.T.F.E. (BAM CERTIFIED) R.P.T.F.E. (OPTIONAL)	13	VITE DI FERMO E FERMO PIN AND STOP PIN PLONT ET PLOT D'ARRET ANSCHLAGBOLZEN	UNI 3740 8.8 ZINCATO - GALVANIZED - ZINGUE - VERZINKT ON REQUEST UNI 3951 A2-70
6	SFERA BALL BOULE KUGEL	ASTM A479 304/304L ASTM A351 CF8/CF3 ASTM A479 316/316L ASTM A351 CF8M/CF3M	14	DADO - CONTRODADO NUT - LOCK NUT ECROU - CONTRE-ECROU MUTTER - KONTERMUTTER	UNI 3740 - 6S ZINCATO - GALVANIZED - ZINGUE - VERZINKT ON REQUEST ASTM A479 304
7	DISPOSITIVO ANTISTATICO ANTISTATIC DEVICE CONTACT ANTISTATIQUE ANTISTATIK VORRICHTUNG	ASTM A479 316/316L	15	LEVA WRENCH LEVIER HANDHEBEL	AISI 1010 ZINCATO - GALVANIZED - ZINGUE - VERZINKT ON REQUEST ASTM A479 304
8	STELO STEM TIGE SPINDEL	ASTM A479 304/304L ASTM A479 316/316L	16	VITE SCREW VIS SCHRAUBE	UNI 3740 8.8 ZINCATO - GALVANIZED - ZINGUE - VERZINKT ON REQUEST UNI 3951 A2-70

\* RICAMBI CONSIGLIATI - RECOMMENDED SPARE PARTS - PIECES DE RECHANGE CONSEILLEES - ERSATZTEIL EMPFEHLUNG

## DIMENSIONI - DIMENSION - DIMENSIONS - ABMESSUNGEN

DN	10	15	20	25	32	40	50	65	80	100	125	150	200	250	300
A									22	30					
B									14	18					
C									12	17					
E									76	101					
F									M8	M8					
ISO									F07	F07					
G									55	55					
H									152	174					
L									88	105					
M									370	470					
N									85	94					
P									90,5	99,5					
R									24	27					
S									120	155					
T									70	70					
~Kg									23,5	35					

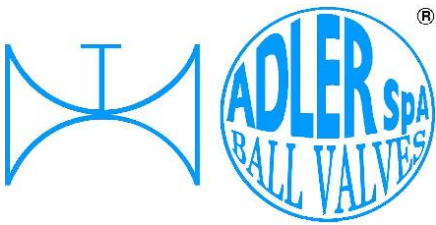
- DATI E CARATTERISTICHE SOGGETTI A VARIAZIONI SENZA PREAVVISO
- SPECIFICATIONS SUBJECT TO MODIFICATION WITHOUT PRIOR NOTICE
- TOUS DROITS DE MODIFICATION RESERVES
- KONSTRUKTIONSÄNDERUNGEN VORBEHALTEN

PN 10 ÷ 40 ANSI 150

PN 10 ÷ 16



ADLER SpA - BALL VALVES  
20010 S. STEFANO TICINO (MI) ITALY V.le BORLETTI, 14 Tel. +39/02974842.11 FAX +39/0297271698  
E-mail: [adler@adlerspa.com](mailto:adler@adlerspa.com) <http://www.adlerspa.com>



ISO 9001:2008 by L.R.  
 PED DIR. 97/23/EC by L.R.  
 ATEX DIR. 94/9/EC by B.V.  
 FIRE SAFE EXECUTION by L.R.  
 ISO 15848 by TÜV  
 ANTISTATIC DEVICE by L.R.  
 FIRE SAFE TESTED ISO 10497 by L.R.

TYPE  
**FA3**  
 PN 10 ÷ 40  
 ANSI 150

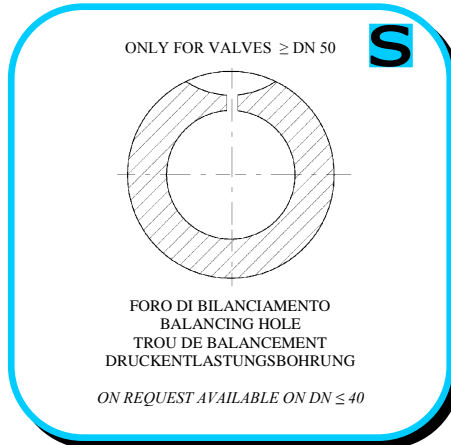
VALVOLA A SFERA "CORPO PIATTO" PASSAGGIO TOTALE  
 BALL VALVES "WAFER TYPE" FULL BORE

ROBINETS A BOISSEAU SPHERIQUE "WAFER" PASSAGE INTEGRAL  
 FLANSCHKUGELHÄHNE IN "KOMPAKTBAUWEISE" VOLLER DURCHGANG

• ESECUZIONI • EXECUTIONS • EXECUTIONS • AUSFÜHRUNGEN



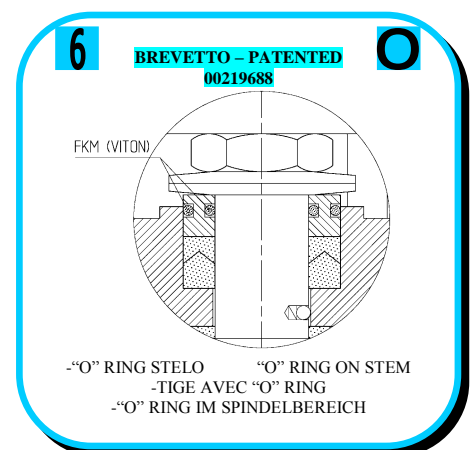
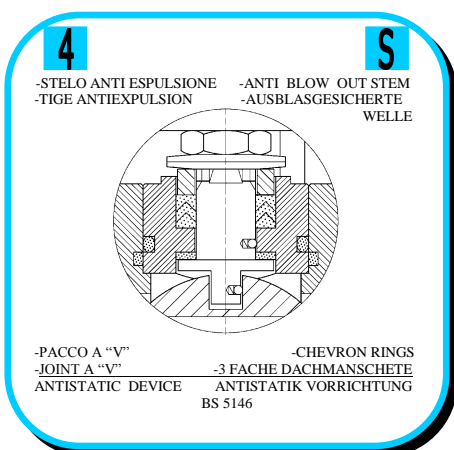
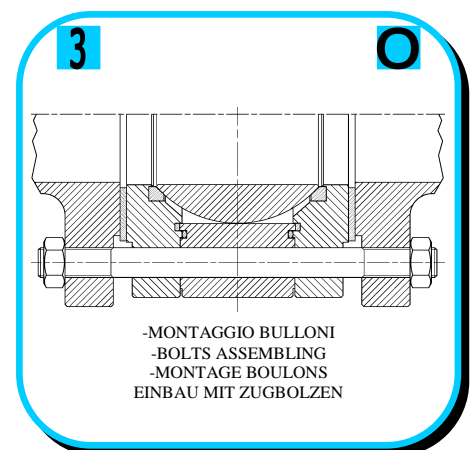
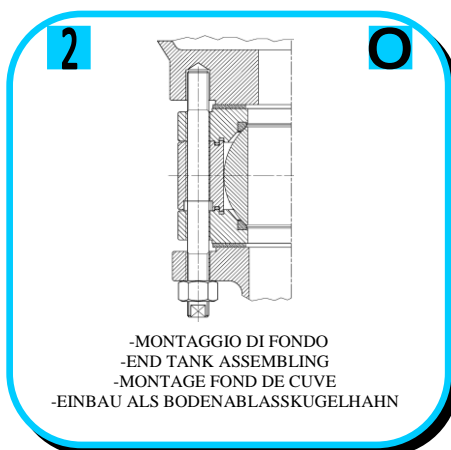
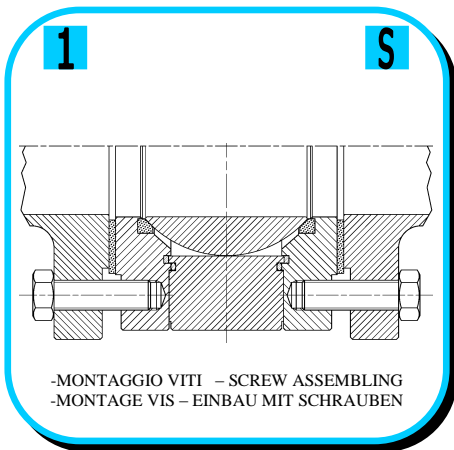
EXECUTION 4 - 12



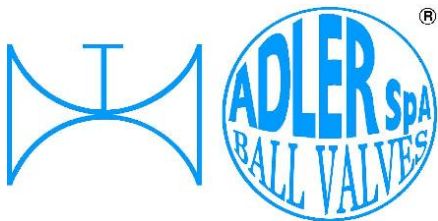
EXECUTION 6 - 16

**S** STANDARD

**O** OPTIONAL







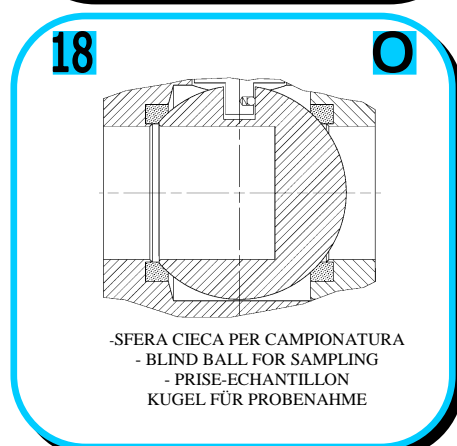
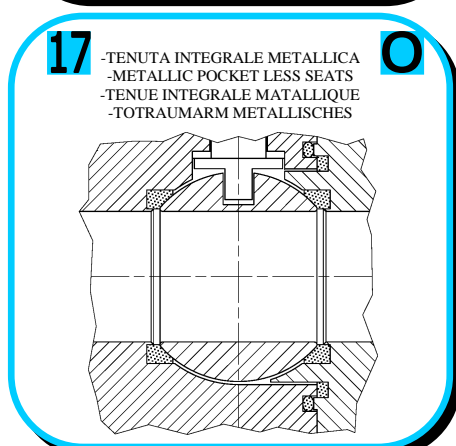
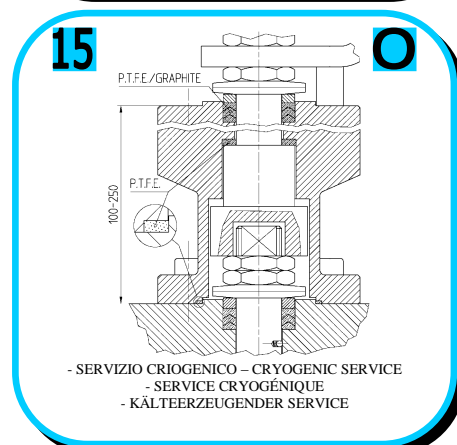
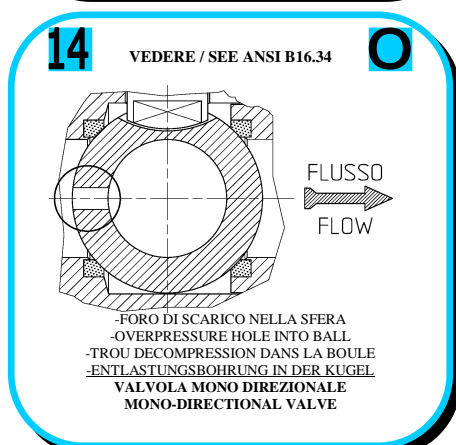
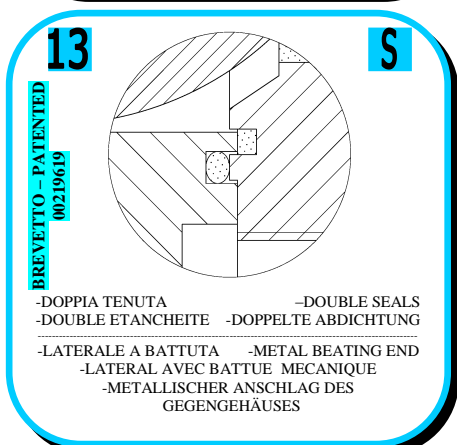
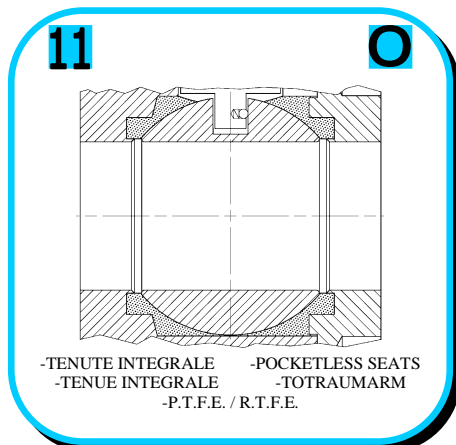
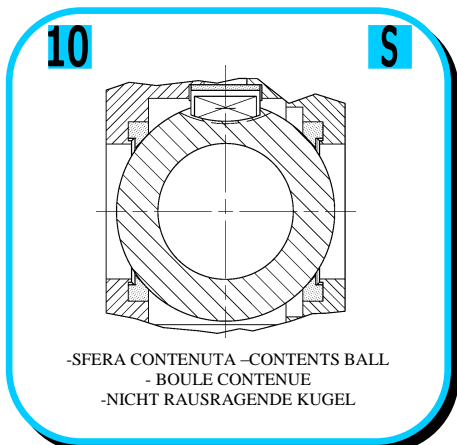
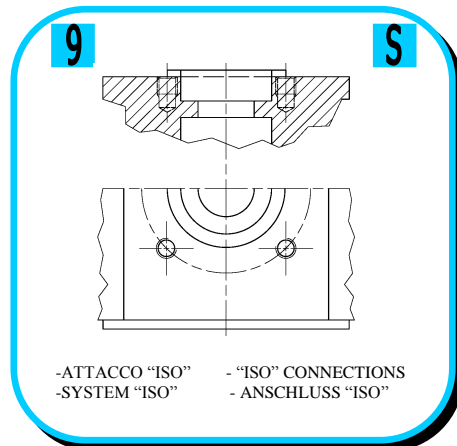
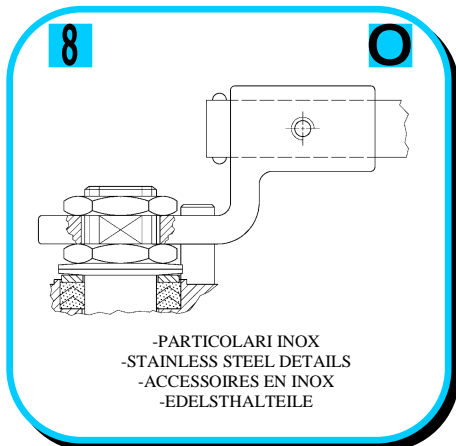
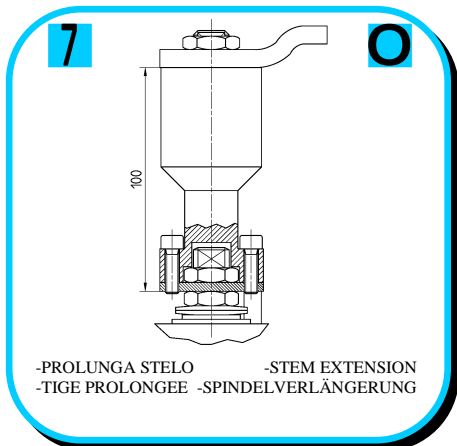
ISO 9001:2008 by L.R.  
 PED DIR. 97/23/EC by L.R.  
 ATEX DIR. 94/9/EC by B.V.  
 FIRE SAFE EXECUTION by L.R.  
 ISO 15848 by TÜV  
 ANTISTATIC DEVICE by L.R.  
 FIRE SAFE TESTED ISO 10497 by L.R.

TYPE  
**FA3**  
 PN 10 ÷ 40  
 ANSI 150

VALVOLA A SFERA "CORPO PIATTO" PASSAGGIO TOTALE  
 BALL VALVES "WAFER TYPE" FULL BORE

ROBINETS A BOISSEAU SPHERIQUE "WAFER" PASSAGE INTEGRAL  
 FLANSCHKUGELHÄHNE IN "KOMPAKTBAUWEISE" VOLLER DURCHGANG

ESECUZIONI • EXECUTIONS • EXECUTIONS • AUSFÜHRUNGEN





**VITI D'ASSEMBLAGGIO PER FA3  
ASSEMBLING SCREWS FOR FA3  
VIS D'ASSEMBLAGE POUR FA3  
MONTAGESCHRAUBEN FÜR FA3**

**TABLE  
07**

N° VITI – DIMENSIONE • N° SCREW – DIMENSIONS • N° VIS- DIMENSIONS • N° SCHRAUBEN-ABMESSUNGEN

**EUROPEAN NORM**

DN PN	10-15	20	25	32	40	50	65	80	100	125	150	200
10								* 16 M16 X40	16 M16 X40			
16								16 M16 X40	16 M16 X40			
25								16 M16 X45	16 M20 X50			
40								16 M16 X45	16 M20 X50			

\* N° 8 per UNI 2223/2229

**ANSI METRIC**

(STANDARD ADLER)

Ø Rating	1/2"	3/4"	1"	1 1/4"	1 1/2"	2"	2 1/2"	3"	4"	5"	6"	8"
150								8 M16 X45	16 M16 X45			

**ANSI B1.1 UNC**

(ON REQUEST)

Ø Rating	1/2"	3/4"	1"	1 1/4"	1 1/2"	2"	2 1/2"	3"	4"	5"	6"	8"
150								8 5/8 X 1 3/4	16 5/8 X 1 3/4			



Tab-07/12 RIPRODUZIONE VIETATA - COPYRIGHT

FA3/15 RIPRODUZIONE VIETATA - COPYRIGHT



ADLER SpA – BALL VALVES  
20010 S. STEFANO TICINO (MI) ITALY V.le BORLETTI, 14 Tel. +39/02974842.11 FAX +39/0297271698  
E-mail: [adler@adlerspa.com](mailto:adler@adlerspa.com) <http://www.adlerspa.com>