



ISO 9001:2008 by L.R.
PED DIR. 97/23/EC by L.R.
ATEX DIR. 94/9/EC by B.V.
FIRE SAFE EXECUTION by L.R.
ISO 15848 by TÜV
ANTISTATIC DEVICE by L.R.
FIRE SAFE TESTED ISO 10497 by L.R.

TYPE
VM2
PN 10 ÷ 40

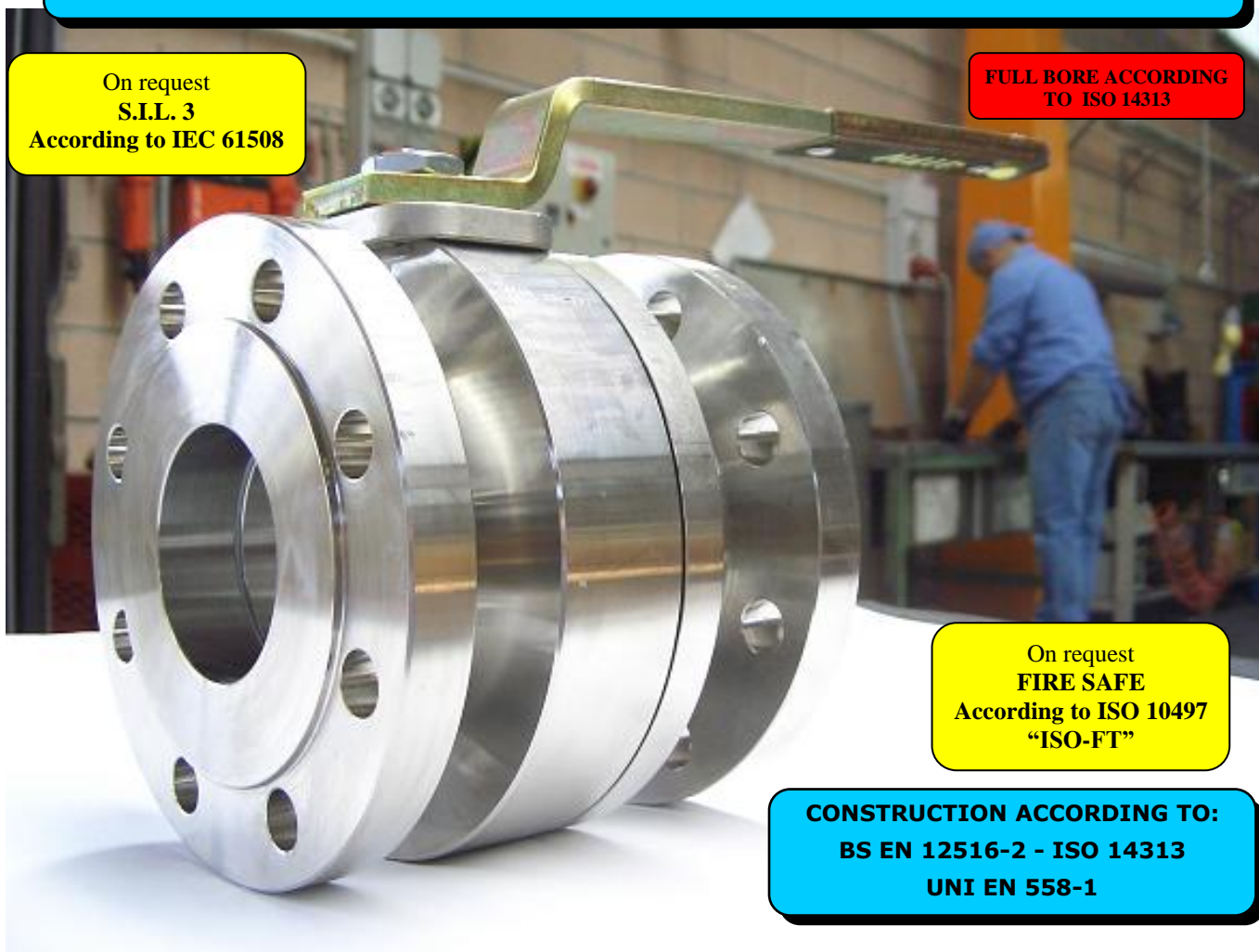
NORME E DIRETTIVE APPLICATE DISPONIBILI AL SEGUENTE INGLINK:
STANDARD AND DIRECTIVE APPLIED AVAILABLE AT FOLLOWING LINK:
http://www.adlerspa.com/pdf/NORME_ADLER.pdf

VALVOLE A SFERA "UNI EN 558-1" PASSAGGIO VENTURI

ISO nbr° LRC 0160281 QMS issued by L.R.Q.A. PED nbr° COV 0212112/01 issued by L.R.V.
ATEX nbr° 40.2003.4392 issued by B.V. ISO 15848 nbr° I-148466/1-/2 issued by TÜV

On request
S.I.L. 3
According to IEC 61508

FULL BORE ACCORDING
TO ISO 14313

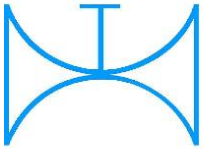


On request
FIRE SAFE
According to ISO 10497
"ISO-FT"

CONSTRUCTION ACCORDING TO:
BS EN 12516-2 - ISO 14313
UNI EN 558-1

BALL VALVES
"UNI EN 558-1" VENTURI PORT
ROBINETS A BOISSEAU SPHERIQUE
"UNI EN 558-1" PASSAGE VENTURI
FLANSCHKUGELHÄHNE IN "UNI EN 558-1"
REDUZIERTER DURCHGANG

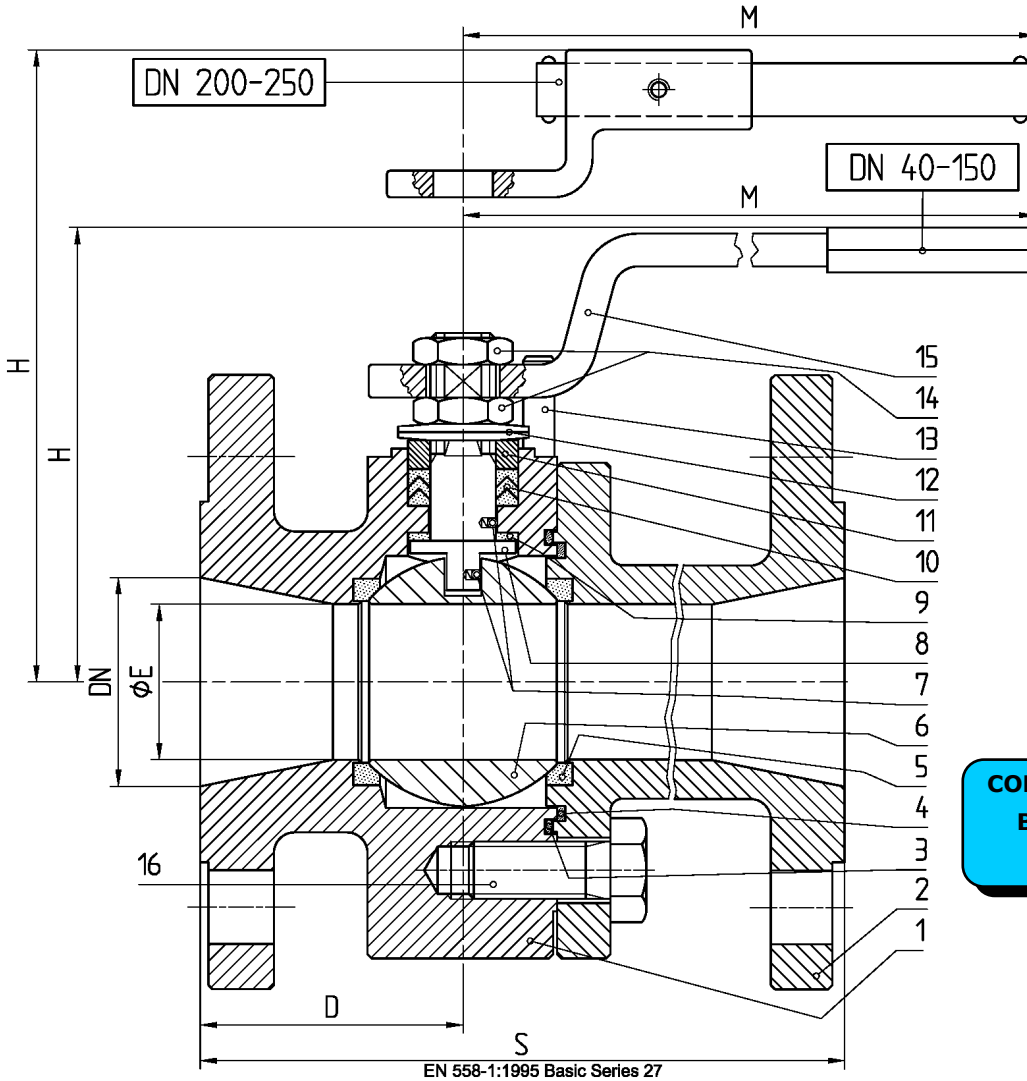
WEB SITE: WWW.ADLERSPA.COM



ISO 9001:2008 by L.R.
 PED DIR. 97/23/EC by L.R.
 ATEX DIR. 94/9/EC by B.V.
 FIRE SAFE EXECUTION by L.R.
 ISO 15848 by TÜV
 ANTISTATIC DEVICE by L.R.
 FIRE SAFE TESTED ISO 10497 by L.R.

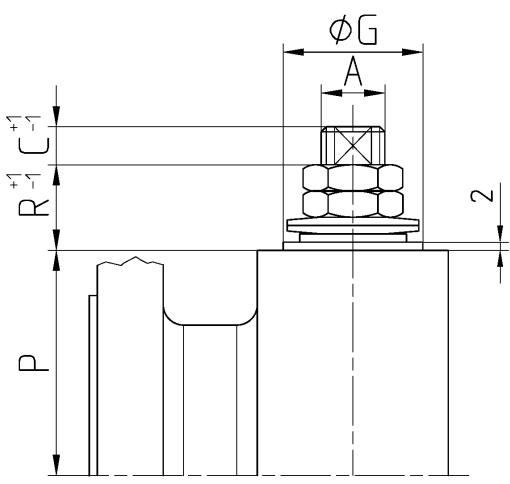
TYPE
VM2
 PN 10 ÷ 40

VALVOLA A SFERA " UNI EN 558-1" PASSAGGIO VENTURI
 BALL VALVES " UNI EN 558-1" VENTURI PORT
 ROBINETS A BOISSEAU SPHERIQUE " UNI EN 558-1" PASSAGE VENTURI
 FLANSCHKUGELHÄHNE IN " UNI EN 558-1" REDUZIERTER DURCHGANG

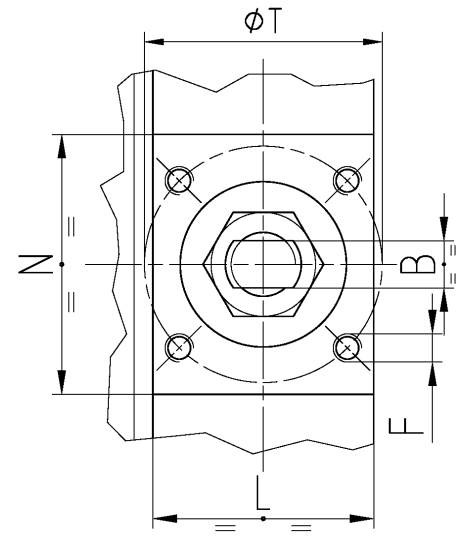


DN 250
 -CONSIGLIATO
 RIDUTTORE MANUALE
 -MANUAL GEAR BOX
 SUGGESTED
 -REDUCTEUR MANUEL
 CONSEILLE
 -EMPFEHLEN WIR EIN
 HANDGETRIEBE

CONSTRUCTION ACCORDING TO:
 BS EN 12516-2 - ISO 14313
 UNI EN 558-1



• ACCOPPIAMENTO VALVOLA
 ATTUATORE
 • CONNECTION VALVE
 ACTUATOR
 • ACCOUPLEMENT ROBINET-
 ACTIONNEUR
 • ZUSAMMENBAU KUGELHAHN
 ANTRIEB
ISO-5211



N.	DESCRIZIONE DESCRIPTION DESCRIPTION BESCHREIBUNG	MATERIALI MATERIALS MATERIAUX WERKSTOFFE
1	CORPO BODY CORPS KÖRPER	ASTM A105 ASTM A479 316/316L ASTM A 351 CF8M
2	LATERALE END LATERAL GEGENGEHÄUSE	ASTM A105 ASTM A479 316/316L ASTM A 351 CF8M
3*	O-RING	FKM - (VITON)
4*	ANELLO SEAL ANNEAU DICHTUNGSRING	P.T.F.E.
5*	SEDE SEAT SIEGE SITZRING	P.T.F.E. (BAM CERTIFIED) R.P.T.F.E. (OPTIONAL)
6	SFERA BALL BOULE KUGEL	ASTM A479 304/304L ASTM A351 CF8 ASTM A479 316/316L ASTM A351 CF8M
7	DISPOSITIVO ANTISTATICO ANTISTATIC DEVICE CONTACT ANTISTATIQUE ANTISTATIK VORRICHTUNG	ASTM A479 316/316L
8	STELO STEM TIGE SPINDEL	ASTM A479 304/304L ASTM A479 316/316L

N.	DESCRIZIONE DESCRIPTION DESCRIPTION BESCHREIBUNG	MATERIALI MATERIALS MATERIAUX WERKSTOFFE
9*	BUSSOLA STEM SEAL JOINT TIGE UNTERE SPINDELABDICHTUNG	P.T.F.E.
10*	PACCO A "V" CHEVRON RINGS JOINT A "V" 3 FACHE DACHMANSCHETTE	P.T.F.E. / GRAFITE P.T.F.E. / GRAPHITE P.T.F.E. / GRAPHITE P.T.F.E. / GRAPHIT
11	PREMIBUSSOLA PRESSING BUSH PRESSE RONDELLE STOPFBUCHSDRUCKRING	ASTM A479 304
12	MOLLE A TAZZA SPRING WASHERS RONDELLES BELLEVILLE TELLERFEDERN	C72/50Cr V4 X5CrNi17.7 or X12CrNi17.7 ZINCATO - GALVANIZED - ZINGUE - VERZINKT ON REQUEST
13	VITE DI FERMO E FERMO PIN AND STOP PIN PLOT ET PLOT D'ARRET ANSCHLAGBOLZEN	UNI 3740 8.8 UNI 3951 A2-70 ZINCATO - GALVANIZED - ZINGUE - VERZINKT ON REQUEST
14	DADO - CONTRODADO NUT - LOCK NUT ECROU - CONTRE-ECROU MUTTER - KONTERMUTTER	UNI 3740 - 6S ASTM A479 304 ZINCATO - GALVANIZED ZINGUE - VERZINKT ON REQUEST
15	LEVA WRENCH LEVIER HANDHEBEL	AISI 1010 ASTM A479 304 ZINCATO - GALVANIZED ZINGUE - VERZINKT ON REQUEST
16	VITE SCREW VIS SCHRAUBE	UNI 3740 8.8 UNI 3951 A2-70 ZINCATO - GALVANIZED - ZINGUE - VERZINKT ON REQUEST

* RICAMBI CONSIGLIATI - RECOMMENDED SPARE PARTS - PIECES DE RECHANGE CONSEILLEES - ERSATZTEIL EMPFEHLUNG

DIMENSIONI - DIMENSION - DIMENSIONS - ABMESSUNGEN

DN	15	20	25	32	40	50	65	80	100	125	150	150	200	250	300				
A					12	16	16	22	22		30	30	42	48					
B					8	10	10	14	14		18	18	28	32					
C					7	9	9	12	12		17	17	19	19					
D					55	61	65	74	77,5		119	109	122	149					
E					30	38	51	64	76		101	118	152	187					
F					M5	M6	M6	M8	M8		M8	M10	M12	M16					
ISO					F03	F05	F05	F07	F07		F07	F10	F12	F14					
G	VEDERE SEE VOIR SIEHE				TYPE FM2							55	70	85	100				
H					PN 10 ÷ 40										174	186	254	284	
L									34	45	45	61,5	62		80	104,5	112	146	
M					185	280	280	370	370		470	650	750	900					
N					55	60	62	74	73		81	107	112	147					
P					46,5	55	65	82	90,5		99,5	113	144	172,5					
R					17	20	20	23	23		26	26	34	37					
S					140	150	170	180	190		350	350	400	450					
T					36	50	50	70	70		70	102	125	140					
~Kg					9	11,9	16,6	19,9	25		76,6	72,6	114	160					

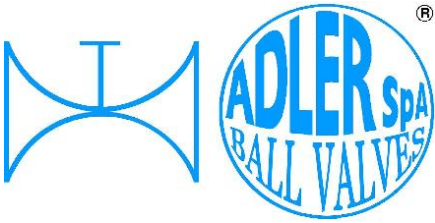
- DATI E CARATTERISTICHE SOGGETTI A VARIAZIONI SENZA PREAVVISO
- SPECIFICATIONS SUBJECT TO MODIFICATION WITHOUT PRIOR NOTICE
- TOUS DROITS DE MODIFICATION RESERVES
- KONSTRUKTIONSÄNDERUNGEN VORBEHALTEN

PN 10 ÷ 40

PN 10 ÷ 16



ADLER SpA - BALL VALVES
20010 S. STEFANO TICINO (MI) ITALY V.le BORLETTI, 14 Tel. +39/02974842.11 FAX +39/0297271698
E-mail: adler@adlerspa.com <http://www.adlerspa.com>



ISO 9001:2008 by L.R.
 PED DIR. 97/23/EC by L.R.
 ATEX DIR. 94/9/EC by B.V.
 FIRE SAFE EXECUTION by L.R.
 ISO 15848 by TÜV
 ANTISTATIC DEVICE by L.R.
 FIRE SAFE TESTED ISO 10497 by L.R.

TYPE
VM2
 PN 10 ÷ 40

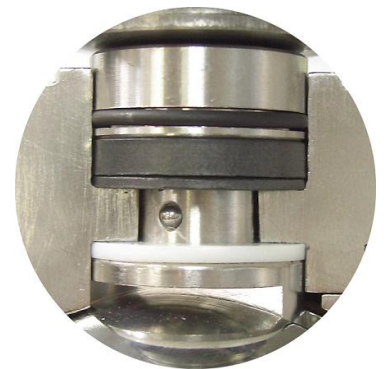
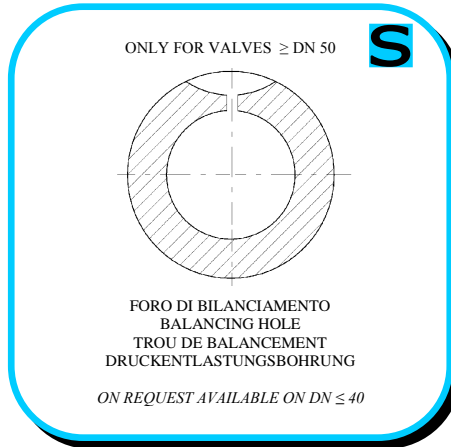
VALVOLA A SFERA "UNI EN 558-1" PASSAGGIO VENTURI
 BALL VALVES "UNI EN 558-1" VENTURI PORT

ROBINETS A BOISSEAU SPHERIQUE "UNI EN 558-1" PASSAGE VENTURI
 FLANSCHKUGELHÄHNE IN "UNI EN 558-1" REDUZIERTER DURCHGANG

• ESECUZIONI • EXECUTIONS • EXECUTIONS • BESCHREIBUNG



EXECUTION 4 - 12



EXECUTION 6 - 16

S STANDARD

O OPTIONAL

1

S

CARBON STEEL
 ASTM A105
 DN 15 ÷ 300
 or
 ASTM A 216 WCB
 DN 150 ÷ 300

ADLER

UNA GAMMA COMPLETA
 PRIVILEGIANDO LA QUALITA'
 A COMPLETE RANGE PRIVILEGING
 THE QUALITY

3

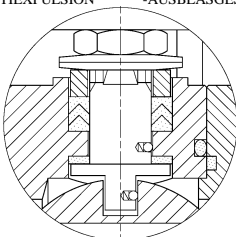
S

STAINLESS STEEL
 ASTM A479 S31600
 DN 15 ÷ 100
 ASTM A351 CF8M
 DN 125 ÷ 300

4

S

-STELO ANTI ESPULSIONE -ANTI BLOW OUT STEM
 -TIGE ANTIEXPULSION -AUSBLASGESICHERTE WELLE



-PACCO A "V" -CHEVRON RINGS
 -JOINT A "V" -3 FACHE DACHMANSCHETE
 ANTISTATIC DEVICE ANTISTATIK VORRICHTUNG
 BS 5146

ADLER COMPANY

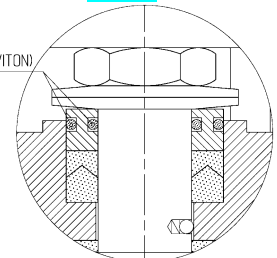


6

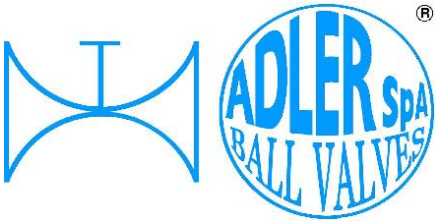
BREVETTO - PATENTED
 00219688

O

FKM (VITON)



-“O” RING STELO “O” RING ON STEM
 -TIGE AVEC “O” RING
 -“O” RING IM SPINDELBEREICH



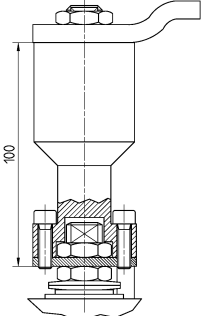
ISO 9001:2008 by L.R.
 PED DIR. 97/23/EC by L.R.
 ATEX DIR. 94/9/EC by B.V.
 FIRE SAFE EXECUTION by L.R.
 ISO 15848 by TÜV
 ANTISTATIC DEVICE by L.R.
 FIRE SAFE TESTED ISO 10497 by L.R.

TYPE
VM2
 PN 10 ÷ 40

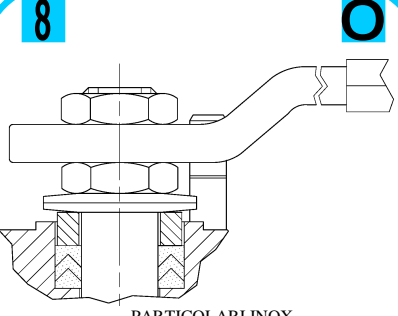
VALVOLA A SFERA "UNI EN 558-1" PASSAGGIO VENTURI
 BALL VALVES "UNI EN 558-1" VENTURI PORT

ROBINETS A BOISSEAU SPHERIQUE "UNI EN 558-1" PASSAGE VENTURI
 FLANSCHKUGELHÄHNE IN "UNI EN 558-1" REDUZIERTER DURCHGANG

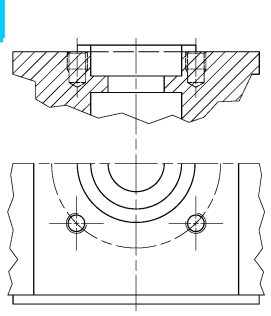
• ESECUZIONI • EXECUTIONS • EXECUTIONS • AUSFÜHRUNGEN

7  **O**

-PROLUNGA STELO -STEM EXTENSION
 -TIGE PROLONGEE -SPINDELVERLÄNGERUNG

8  **O**

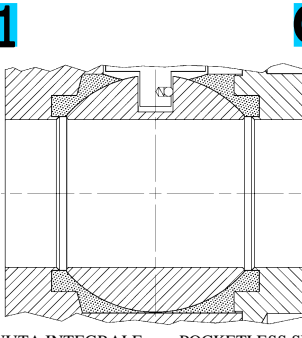
-PARTICOLARI INOX -STAINLESS STEEL DETAILS
 -ACCESSOIRES EN INOX -EDELSTAHLTEILE

9  **S**

-ATTACCO "ISO" -"ISO" CONNECTIONS
 -SYSTEM "ISO" -ANSCHLUSS "ISO"

CERTIFY ISO 9001:2008

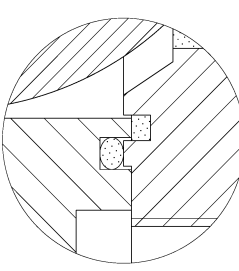


11  **O**

-TENUTA INTEGRALE -POCKETLESS SEATS
 -TENUCE INTEGRALE -TOTRAUMARM
 -P.T.F.E. / R.T.F.E.

12 **FIRE SAFE**
ISO 10497 "ISO-FT"
(BS 6755 / API 607) **O**

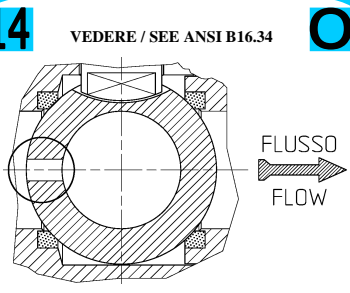


13  **S**

BREVETTO - PATENTED
 00219619

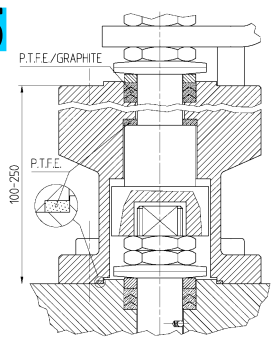
-DOPPIA TENUTA -DOUBLE SEALS
 -DOUPLE ETANCHEITE -DOPPELTE ABDICHTUNG
 -LATERALE A BATTUTA -METAL BEATING END
 -LATERAL AVEC BATTUE MECANIQUE
 -METALLISCHER ANSCHLAG DES GEGENGEHÄUSES

14 **VEDERE / SEE ANSI B16.34** **O**



FLUSSO
 FLOW

-FORO DI SCARICO NELLA SFERA -OVERPRESSURE HOLE INTO BALL
 -TROU DECOMPRESSION DANS LA BOULE
 -ENTLASTUNGSBOHRUNG IN DER KUGEL
 VALVOLA MONO DIREZIONALE
 MONO-DIRECTIONAL VALVE

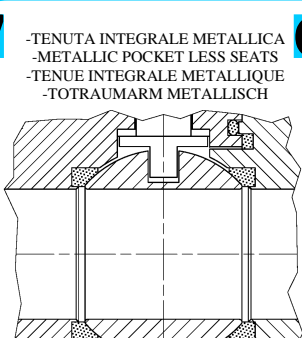
15  **O**

P.T.F.E./GRAPHITE
 P.T.F.E.
 100-250
 4-3/16"

-SERVIZIO CRIOGENICO -CRYOGENIC SERVICE
 -SERVICE CRYOGÉNIQUE
 -TIEFTEMPERATUR SERVICE

16  **O**

-FIRE SAFE ISO FT + "O" RING STELO
 -FIRE SAFE ISO FT + "O" RING ON STEM
 -SECURITE FEU ISO FT + TIGE AVEC "O" RING
 -FEUERSICHERE AUSFÜHRUNG ISO FT +
 "O" RING IM SPINDELBEREICH

17  **O**

-TENUTA INTEGRALE METALLICA -METALLIC POCKET LESS SEATS
 -TENUCE INTEGRALE METALLIQUE
 -TOTRAUMARM METALLISCH

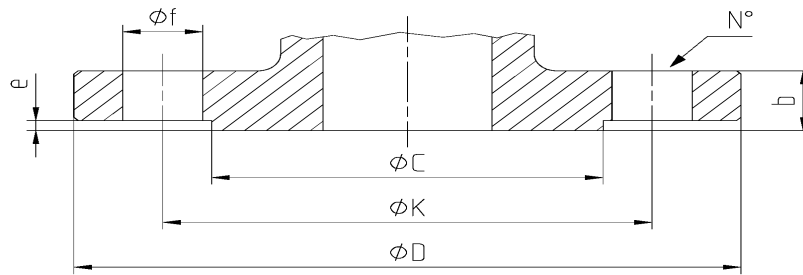
AQUILA - EAGLE - AIGLE
ADLER





DIMENSIONI FLANGE UNI EN 1092-1
FLANGE DIMENSION UNI EN 1092-1
DIMENSIONS BRIDES UNI EN 1092-1
FLANSCHANSCHLUSSMASSEE UNI EN 1092-1

TABLE
03



DN	Ref.	10	15	20	25	32	40	50	65	80	100	125	150	200	250	300
PN 10	D						150	165	185	200	220		285	340	395	
	C						88	102	122	138	158		212	268	320	
	K						110	125	145	160	180		240	295	350	
	N°						4	4	4*	8	8		8	8	12	
	f						18	18	18	18	18		22	22	22	
	b						18	18	18	20	20		22	24	26	
PN 16	e						3	3	3	3		3	3	3		
	D						150	165	185	200	220		285	340	405	
	C						88	102	122	138	158		212	268	320	
	K						110	125	145	160	180		240	295	355	
	N°						4	4	4*	8	8		8	12	12	
	F						18	18	18	18	18		22	22	26	
PN 25/40	b						18	18	18	20	20		22	24	26	
	e						3	3	3	3		3	3	3		
	D						150	165	185	200	235					
	C						88	102	122	138	162					
	K						110	125	145	160	190					
	N°						4	4	8	8	8					
PN 25/40	f						18	18	18	18	22					
	b						18	20	22	24	24					
	e						3	3	3	3	3					

* n° 8 fori su richiesta

