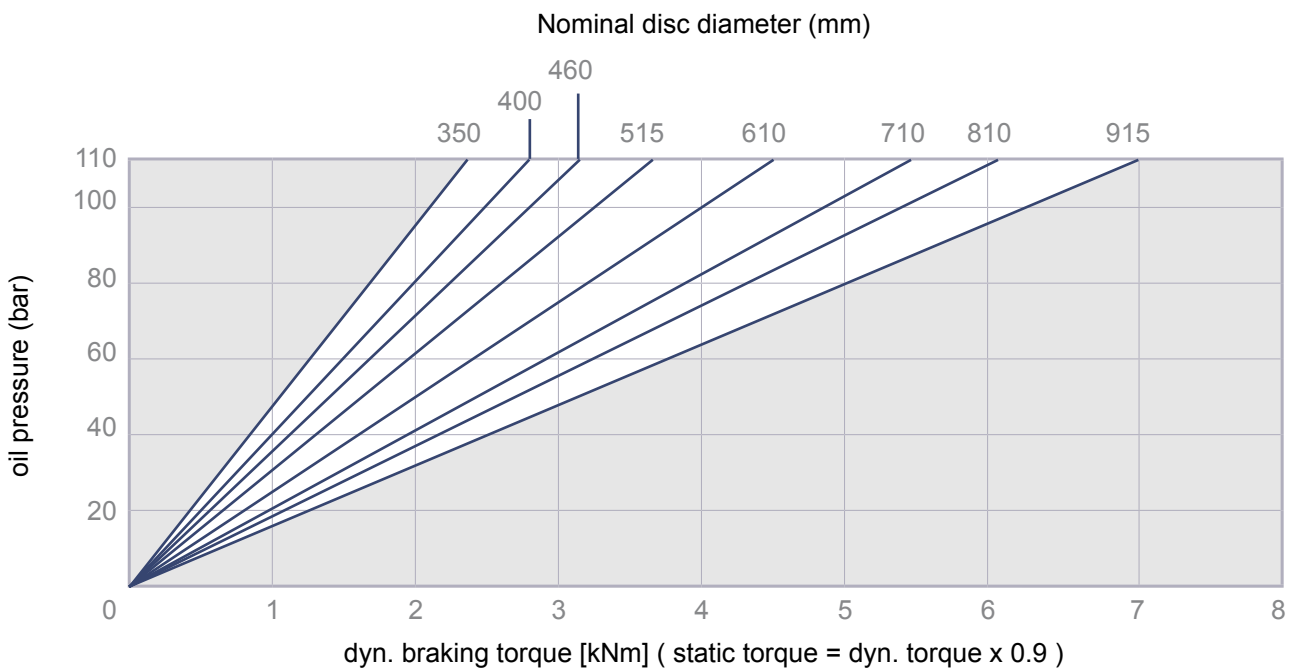




2D-drawing and dimensions see pg. 2

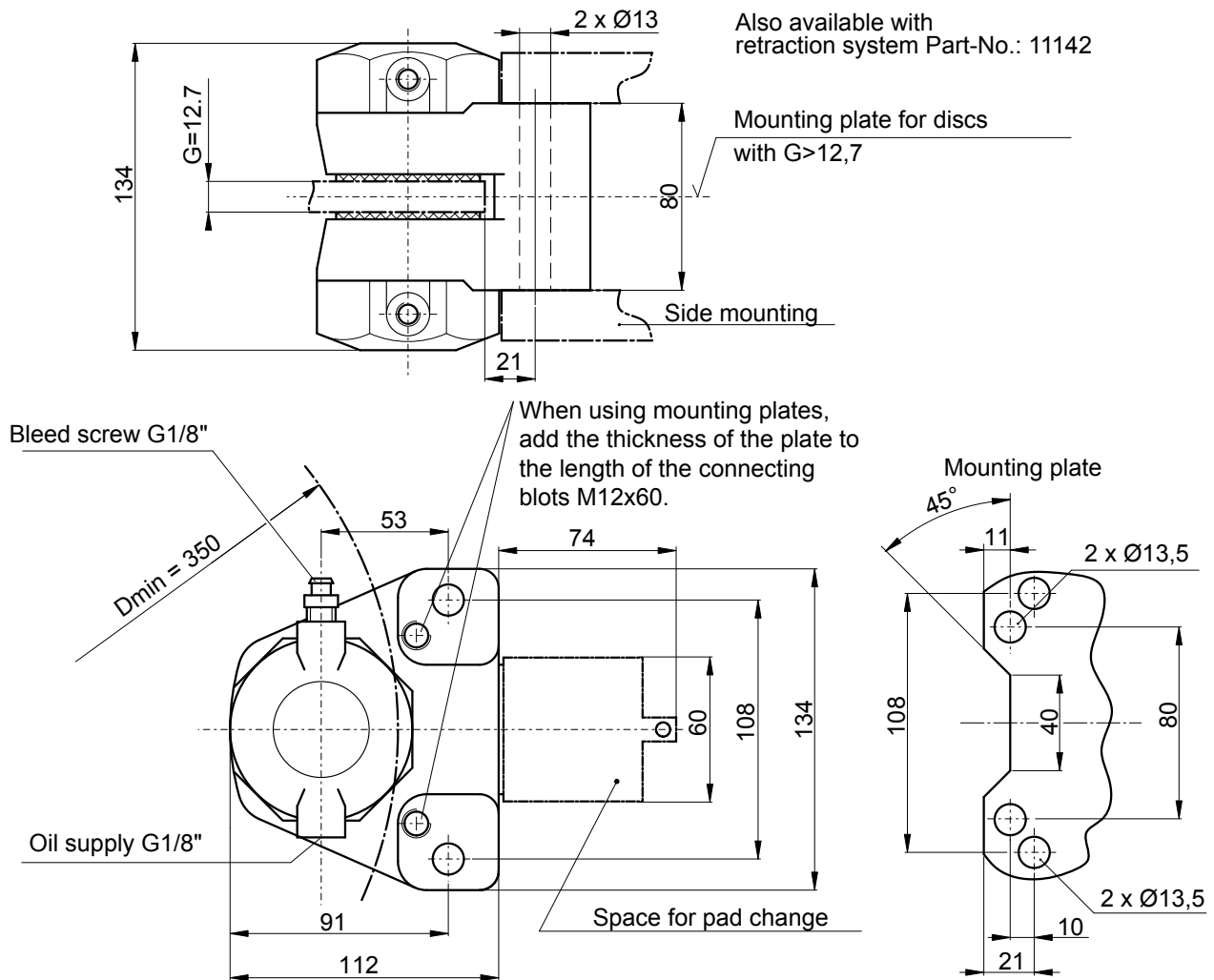


weight: 6,12 kg

Subject to change without notice.

Elephant Brakes by Rietschoten Germany. Strong like an elephant. Smart like an elephant.

Deutsche van Rietschoten & Houwens GmbH · Junkersstraße 12 · 30179 Hanover · www.elephantbrakes.com



Mounting screws: 2 x screws M12 10.9 Tightening torque 110 Nm

For use with mineral oil
 max. oil displacement: 5 cm³ / stroke
 Brake pad area = 72 cm²
 max. operating pressure $P_{max.} = 120$ bar

Subject to change without notice.