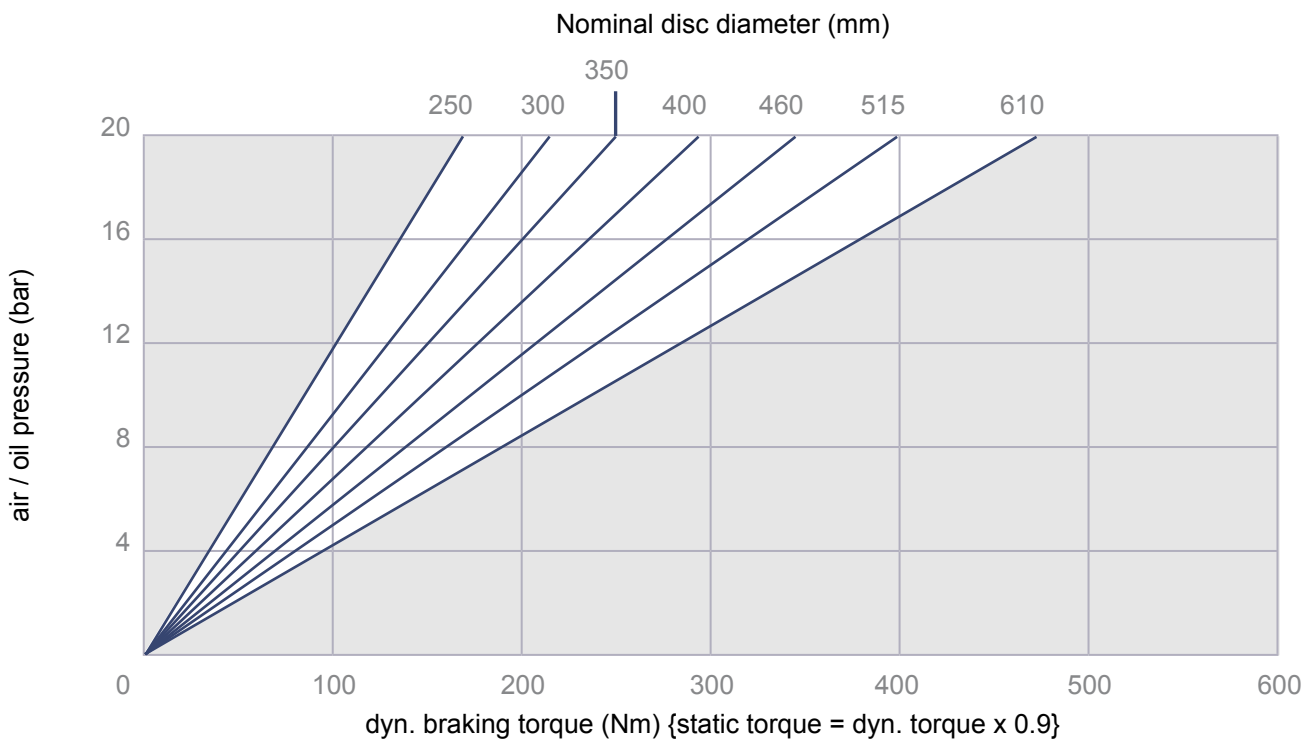


2D-drawing and dimensions see pg. 2

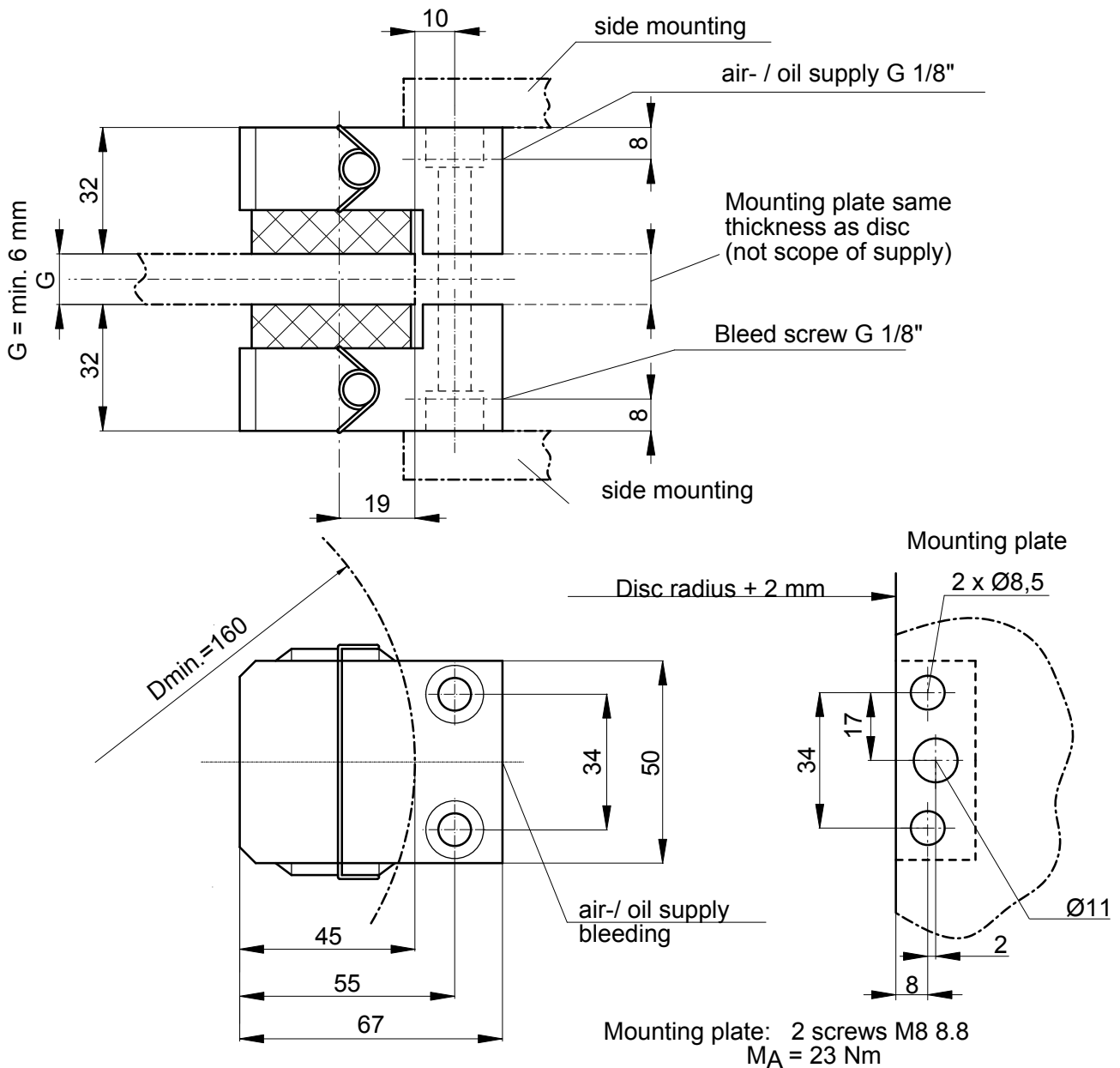


weight: 0,8 kg

Subject to change without notice.

**Elephant Brakes by Rietschoten Germany. Strong like an elephant. Smart like an elephant.**

Deutsche van Rietschoten & Houwens GmbH · Junkersstraße 12 · 30179 Hanover · [www.elephantbrakes.com](http://www.elephantbrakes.com)



For use with air or hydraulic oil  
 Brake pad area = 34 cm<sup>2</sup>  
 max. pressure  $P_{\text{max.}} = 20 \text{ bar}$

Subject to change without notice.