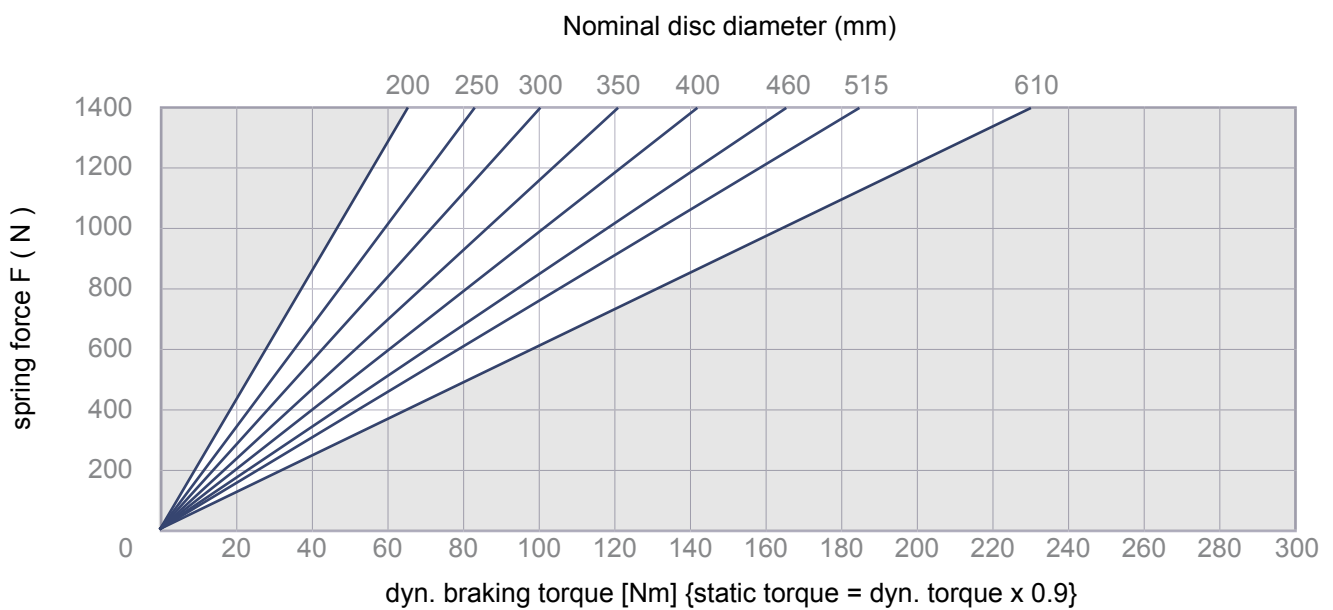


2D-drawing and dimensions see pg. 2



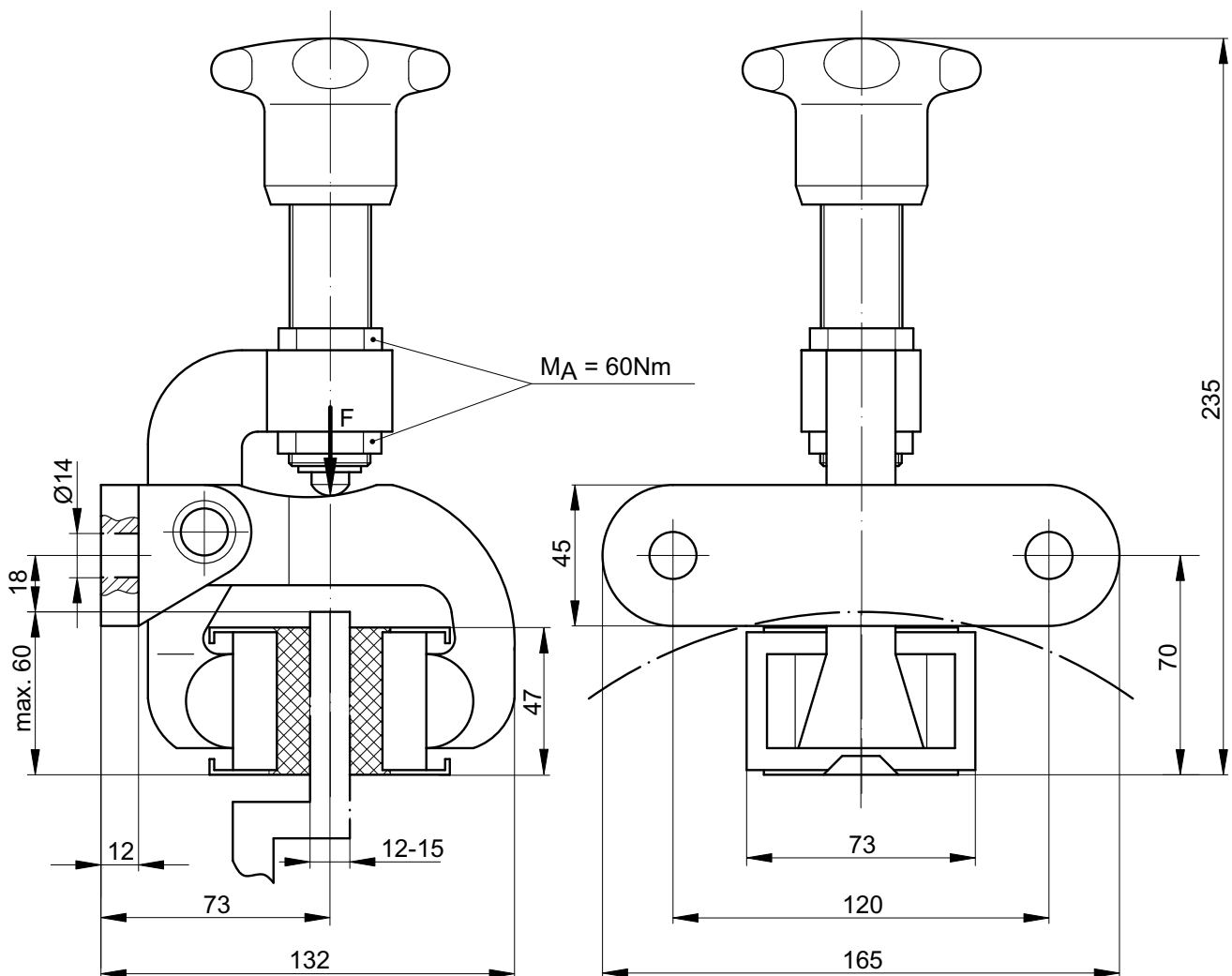
1 turn  $\cong$  150 N

weight: 3,3 kg

Subject to change without notice.

**Elephant Brakes by Rietschoten Germany. Strong like an elephant. Smart like an elephant.**

Deutsche van Rietschoten & Houwens GmbH · Junkersstraße 12 · 30179 Hanover · [www.elephantbrakes.com](http://www.elephantbrakes.com)



Installation position horizontal. In case of deviations, please contact us.  
Information about the mounting position can be requested.

Subject to change without notice.