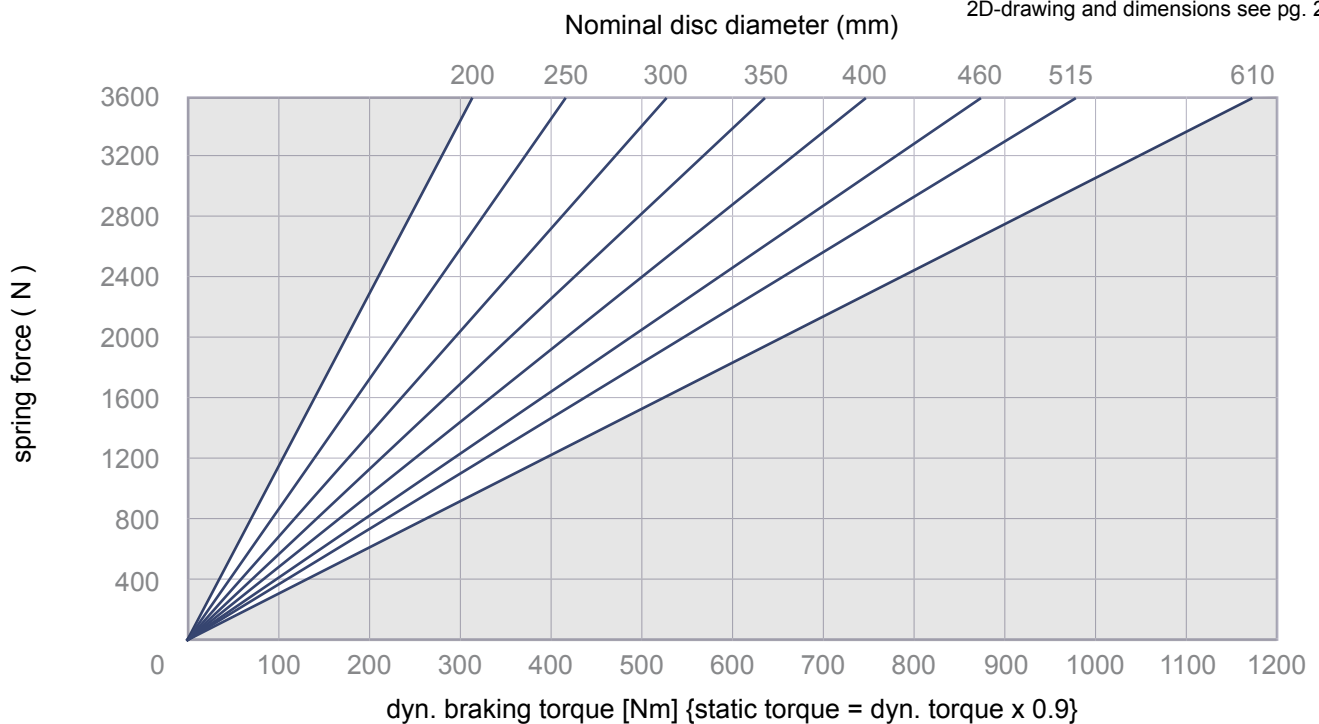


2D-drawing and dimensions see pg. 2



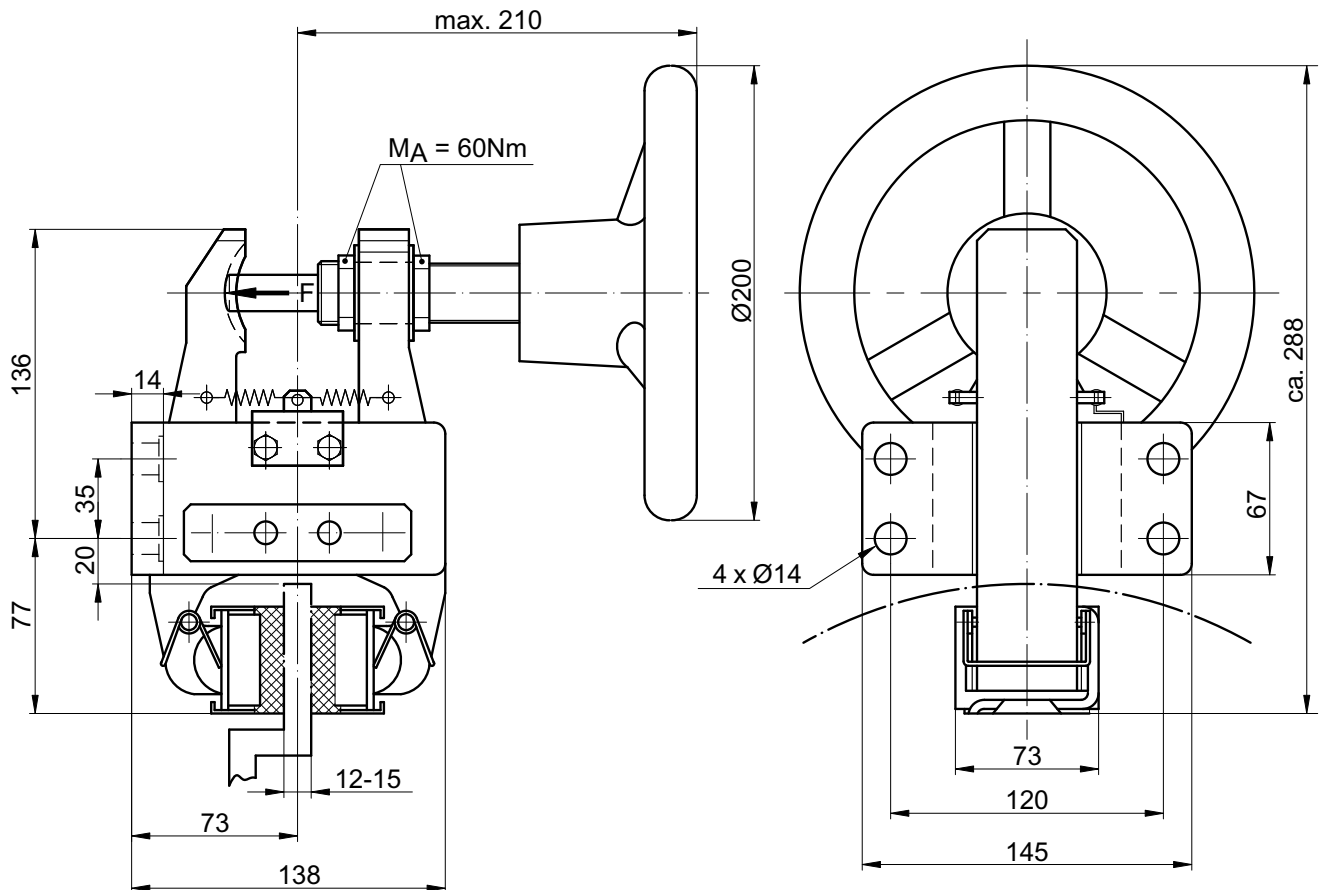
1 turn \cong 400N

weight: 9,3 kg

Subject to change without notice.

Elephant Brakes by Rietschoten Germany. Strong like an elephant. Smart like an elephant.

Deutsche van Rietschoten & Houwens GmbH · Junkersstraße 12 · 30179 Hanover · www.elephantbrakes.com



Right hand mounted as shown = Standard; left hand mounted please state with order.

Subject to change without notice.