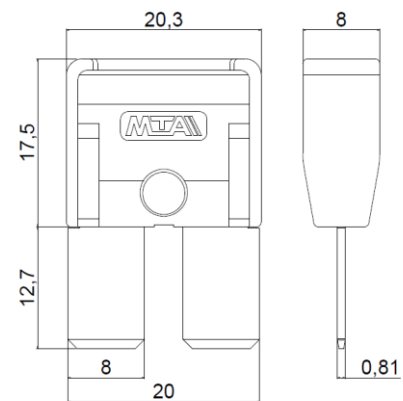


M8Compact[®] BLADE TYPE FUSE

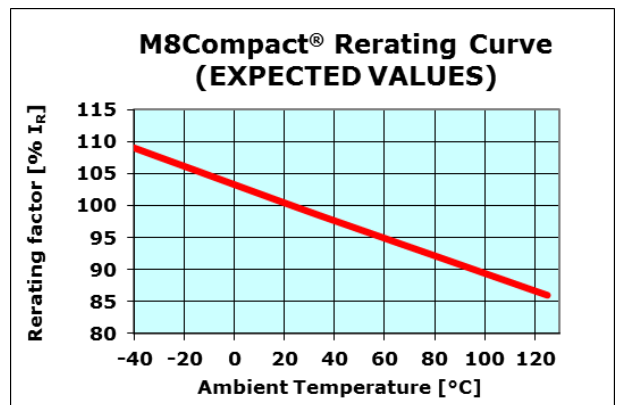
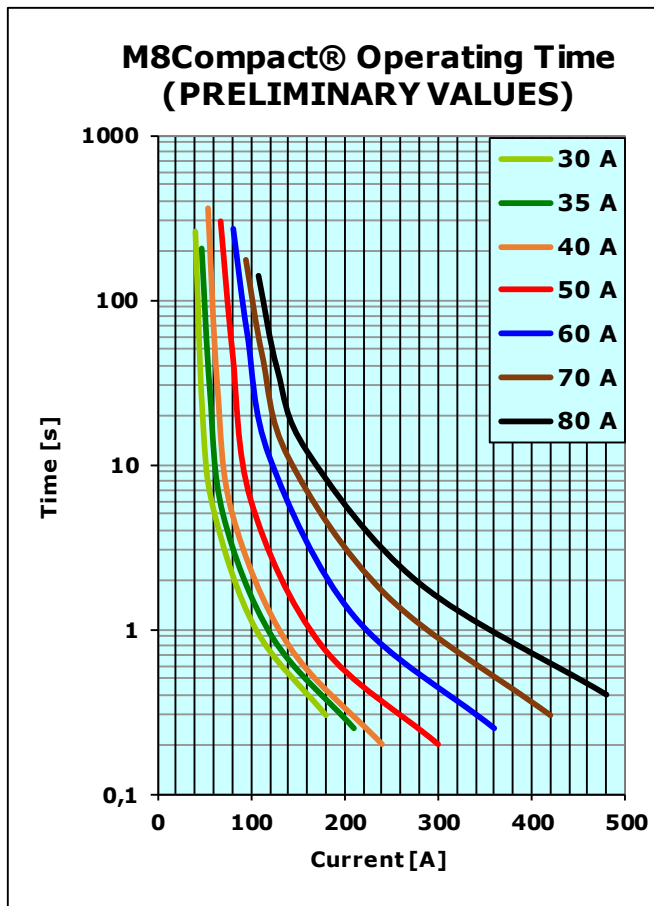
M8Compact[®] is a new family of blade fuses in development, complying with high current capabilities of Type “E” fuses (refer to ISO 8820-3 Standard) and with reduced dimensions as Type “L” fuses (refer to ISO 8820-10 Standard).

M8Compact[®] are made of Zinc alloy whose low melting temperature avoids heavy over temperatures.

Breaking capacity: 1000 A
Voltage rating: 32 Vdc
Ambient temperature: -40°C to +125°C



MTA/ISO M8Compact [®] operating time limits		
% I _R	min [s]	max [s]
100	360000	-
135	60	600
160	10	100
200	2	30
350	0,2	7
600	0,04	1



CURRENT RATING [A]	VOLTAGE DROP @ current rating [mV]	CABLE SIZE [mm ²]	I ² t
30	< 120	4,0	TBD
35	< 120	4,0	TBD
40	< 120	4,0	TBD
50	< 120	6,0	TBD
60	< 120	6,0	TBD
70	< 110	10,0	TBD
80	< 110	10,0	TBD