

ISO 9001:2008 by L.R.  
PED DIR. 97/23/EC by L.R.  
ATEX DIR. 94/9/EC by B.V.  
FIRE SAFE EXECUTION by L.R.  
ISO 15848 by TÜV  
ANTISTATIC DEVICE by L.R.  
FIRE SAFE TESTED ISO 10497 by L.R.

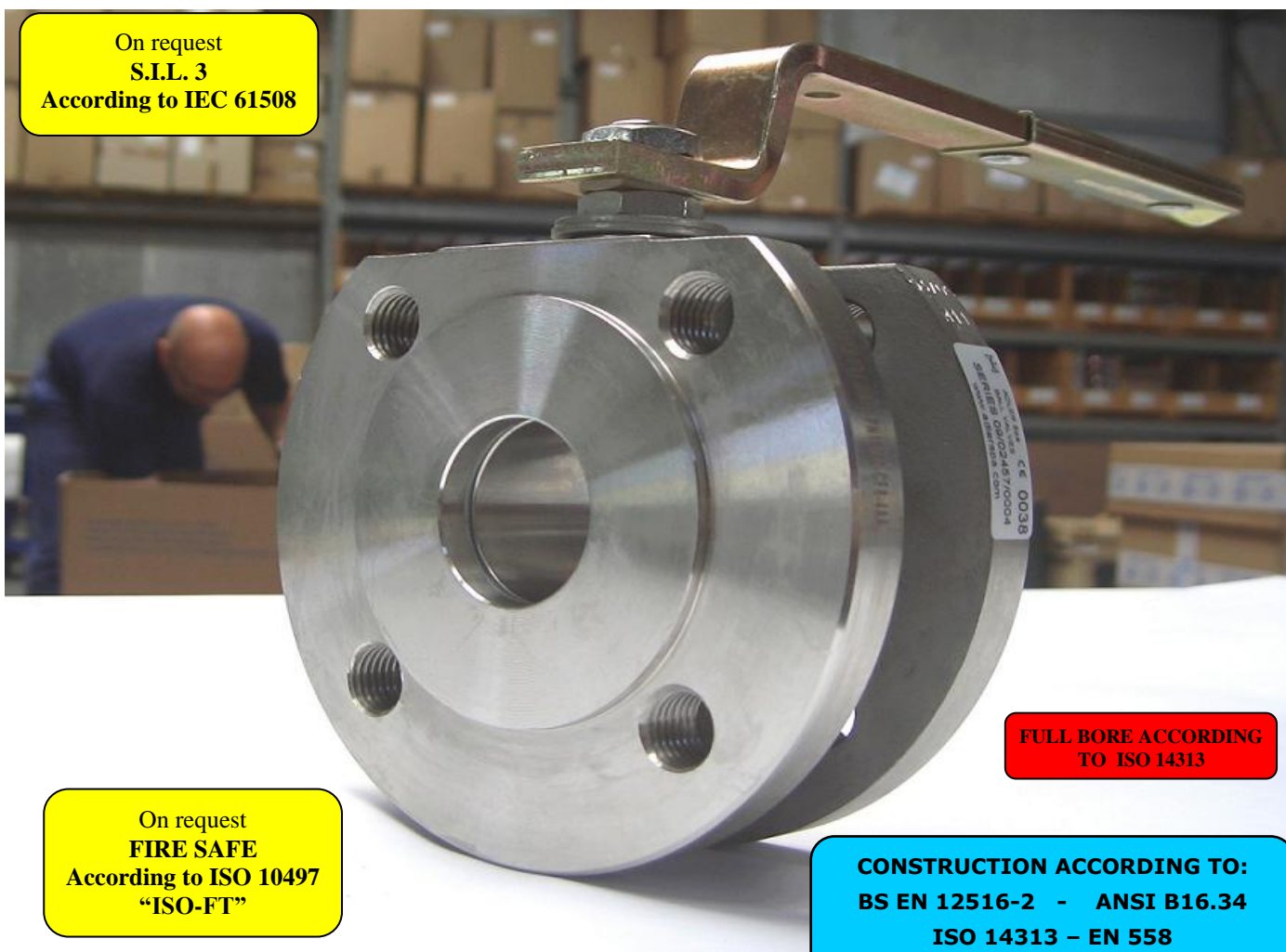
TYPE  
**FB1**  
PN 10 ÷ 40  
ANSI 150

NORME E DIRETTIVE APPLICATE DISPONIBILI AL SEGUENTE LINK:  
STANDARD AND DIRECTIVE APPLIED AVAILABLE AT FOLLOWING LINK:  
[http://www.adlerspa.com/pdf/NORME\\_ADLER.pdf](http://www.adlerspa.com/pdf/NORME_ADLER.pdf)

## VALVOLE A SFERA "CORPO PIATTO" PASSAGGIO TOTALE

ISO nbr° LRC 0160281 QMS issued by L.R.Q.A. PED nbr° COV 0212112/01 issued by L.R.V.  
ATEX nbr° 40.2003.4392 issued by B.V. ISO 15848 nbr° I-148466/1-/2 issued by TÜV

On request  
S.I.L. 3  
According to IEC 61508



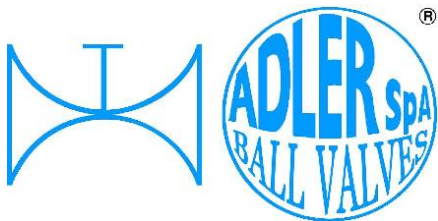
FULL BORE ACCORDING  
TO ISO 14313

On request  
FIRE SAFE  
According to ISO 10497  
"ISO-FT"

CONSTRUCTION ACCORDING TO:  
BS EN 12516-2 - ANSI B16.34  
ISO 14313 - EN 558

**BALL VALVES "WAFER TYPE" FULL BORE  
ROBINETS A BOISSEAU SPHERIQUE  
"WAFER" PASSAGE INTEGRAL  
FLANSCHKUGELHÄHNE IN "KOMPAKTBAUWEISE"  
VOLLER DURCHGANG**

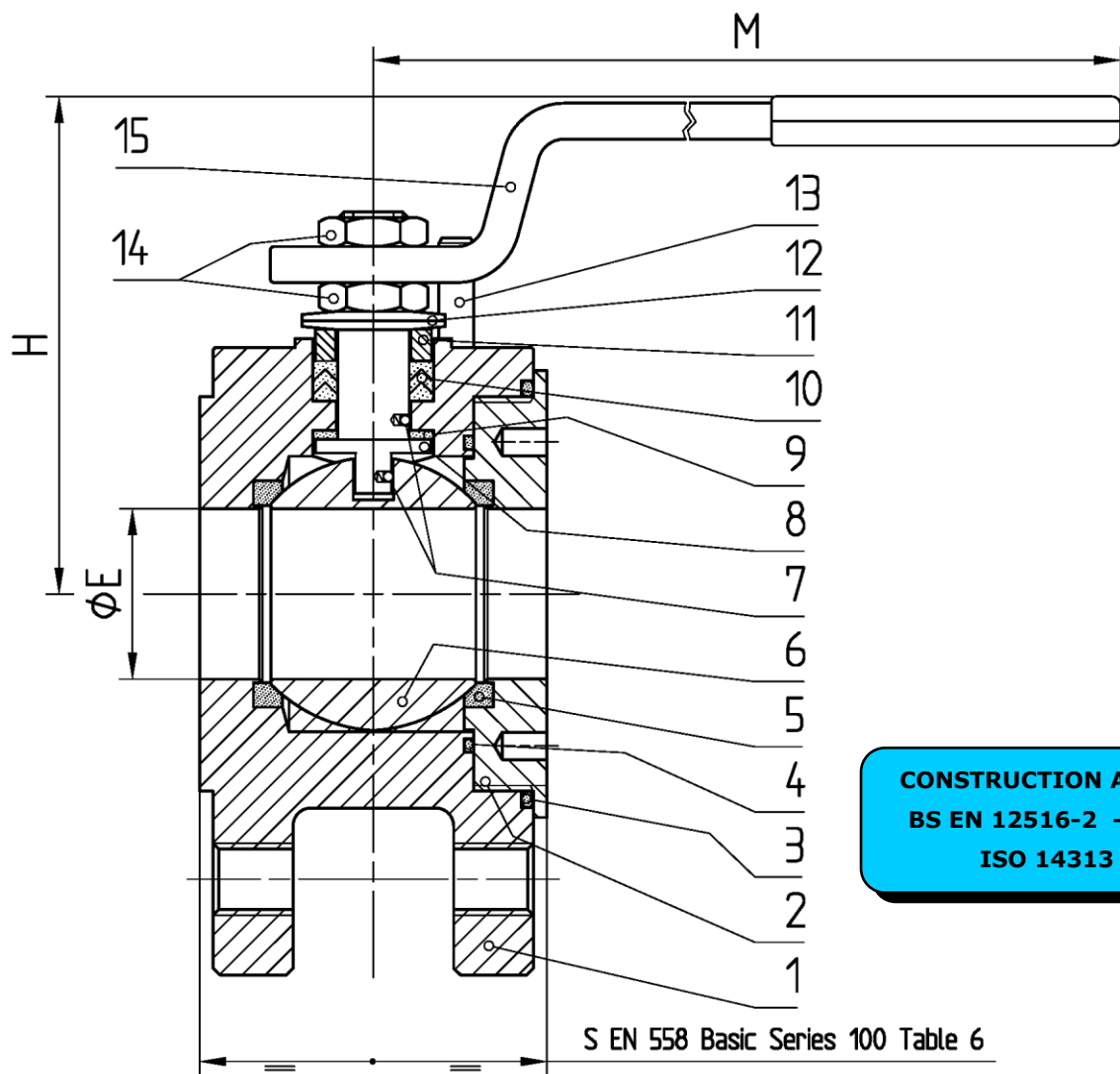
WEB SITE: [WWW.ADLERSPA.COM](http://WWW.ADLERSPA.COM)



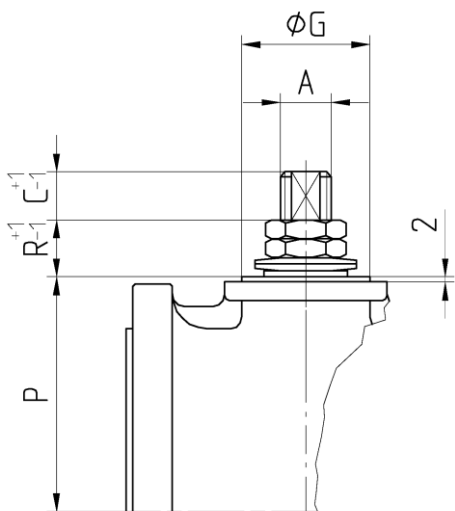
ISO 9001:2008 by L.R.  
 PED DIR. 97/23/EC by L.R.  
 ATEX DIR. 94/9/EC by B.V.  
 FIRE SAFE EXECUTION by L.R.  
 ISO 15848 by TÜV  
 ANTISTATIC DEVICE by L.R.  
 FIRE SAFE TESTED ISO 10497 by L.R.

TYPE  
**FB1**  
 PN 10 ÷ 40  
 ANSI 150

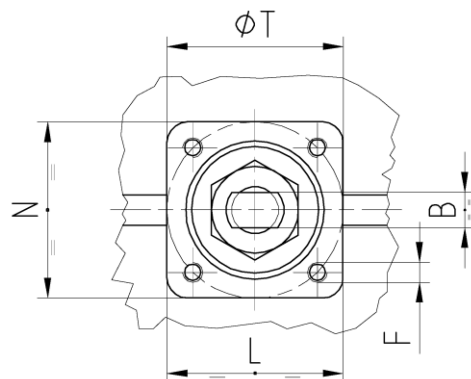
**VALVOLA A SFERA "CORPO PIATTO" PASSAGGIO TOTALE**  
**BALL VALVES "WAFER TYPE" FULL BORE**  
**ROBINETS A BOISSEAU SPHERIQUE "WAFER" PASSAGE INTEGRAL**  
**FLANSCHKUGELHÄHNE IN "KOMPAKTBAUWEISE" VOLLER DURCHGANG**



**CONSTRUCTION ACCORDING TO:**  
**BS EN 12516-2 - ANSI B16.34**  
**ISO 14313 - EN 558**



• ACCOPIAMENTO VALVOLA  
 ATTUATORE  
 • CONNECTION VALVE  
 ACTUATOR  
 • ACCOUPLEMENT ROBINET-  
 ACTIONNEUR  
 • ZUSAMMENBAU KUGELHAHN  
 ANTRIEB  
**ISO-5211**



| N. | DESCRIZIONE<br>DESCRIPTION<br>BESCHREIBUNG                                                     | MATERIALI<br>MATERIALS<br>MATERIAUX<br>WERKSTOFFE                           |
|----|------------------------------------------------------------------------------------------------|-----------------------------------------------------------------------------|
| 1  | CORPO<br>BODY<br>CORPS<br>KÖRPER                                                               | ASTM A 351 CF8<br>ASTM A 351 CF8M                                           |
| 2  | GHIERA<br>INSERT<br>EMBOUT<br>GEWINDEDRUCKRING                                                 | ASTM A479 304/304L<br>ASTM A479 316/316L                                    |
| 3* | O-RING                                                                                         | FKM - (VITON)                                                               |
| 4* | ANELLO<br>SEAL<br>ANNEAU<br>DICHTUNGSRING                                                      | P.T.F.E.                                                                    |
| 5* | SEDE<br>SEAT<br>SIEGE<br>SITZRING                                                              | P.T.F.E. (BAM CERTIFIED)<br>R.P.T.F.E. (OPTIONAL)                           |
| 6  | SFERA<br>BALL<br>BOULE<br>KUGEL                                                                | ASTM A479 304/304L<br>ASTM A351 CF8<br>ASTM A479 316/316L<br>ASTM A351 CF8M |
| 7  | DISPOSITIVO ANTISTATICO<br>ANTISTATIC DEVICE<br>CONTACT ANTISTATIQUE<br>ANTISTATIK VORRICHTUNG | ASTM A479 316/316L                                                          |
| 8  | STELO<br>STEM<br>TIGE<br>SPINDEL                                                               | ASTM A479 304/304L<br>ASTM A479 316/316L                                    |

| N.  | DESCRIZIONE<br>DESCRIPTION<br>BESCHREIBUNG                                           | MATERIALI<br>MATERIALS<br>MATERIAUX<br>WERKSTOFFE                                                                       |
|-----|--------------------------------------------------------------------------------------|-------------------------------------------------------------------------------------------------------------------------|
| 9*  | BUSSOLA<br>STEM SEAL<br>JOINT TIGE<br>UNTERE SPINDELABDICHTUNG                       | P.T.F.E.                                                                                                                |
| 10* | PACCO A "V"<br>CHEVRON RINGS<br>JOINT A "V"<br>3 FACHE DACHMANSCHETTE                | P.T.F.E. / GRAFITE<br>P.T.F.E. / GRAPHITE<br>P.T.F.E. / GRAPHITE<br>P.T.F.E. / GRAPHIT                                  |
| 11  | PREMIBUSSOLA<br>PRESSING BUSH<br>PRESSE RONDELLE<br>STOPFBUCHSDRUCKRING              | ASTM A479 304                                                                                                           |
| 12  | MOLLE A TAZZA<br>SPRING WASHERS<br>RONDELLES BELLEVILLE<br>TELLERFEDERN              | C72/50Cr V <sub>4</sub><br>X5CrNi17.7 or<br>X12CrNi17.7<br>ZINCATO -<br>GALVANIZED -<br>ZINGUE - VERZINKT<br>ON REQUEST |
| 13  | VITE DI FERMO E FERMO<br>PIN AND STOP PIN<br>PLONT ET PLOT D'ARRET<br>ANSCHLAGBOLZEN | UNI 3740<br>8.8<br>UNI 3951 A2-70<br>ZINCATO -<br>GALVANIZED -<br>ZINGUE - VERZINKT<br>ON REQUEST                       |
| 14  | DADO - CONTRODADO<br>NUT - LOCK NUT<br>ECROU - CONTRE-ECROU<br>MUTTER - KONTERMUTTER | UNI 3740 - 6S<br>ASTM A479 304<br>ZINCATO -<br>GALVANIZED -<br>ZINGUE - VERZINKT<br>ON REQUEST                          |
| 15  | LEVA<br>WRENCH<br>LEVIER<br>HANDHEBEL                                                | AISI 1010<br>ASTM A479 304<br>ZINCATO -<br>GALVANIZED -<br>ZINGUE - VERZINKT<br>ON REQUEST                              |
| 16  |                                                                                      |                                                                                                                         |

\* RICAMBI CONSIGLIATI - RECOMMENDED SPARE PARTS - PIECES DE RECHANGE CONSEILLEES - ERSATZTEIL EMPFEHLUNG

## DIMENSIONI - DIMENSION - DIMENSIONS - ABMESSUNGEN

| DN  | 15 | 20 | 25 | 32 | 40  | 50  | 65  | 80   | 100  | 125 | 150 | 200 | 250 | 300 |
|-----|----|----|----|----|-----|-----|-----|------|------|-----|-----|-----|-----|-----|
| A   |    |    |    |    | 16  | 16  | 22  | 22   | 30   | 30  |     |     |     |     |
| B   |    |    |    |    | 10  | 10  | 14  | 14   | 18   | 18  |     |     |     |     |
| C   |    |    |    |    | 10  | 10  | 12  | 12   | 17   | 17  |     |     |     |     |
| E   |    |    |    |    | 38  | 51  | 64  | 76   | 101  | 118 |     |     |     |     |
| F   |    |    |    |    | M6  | M6  | M8  | M8   | M8   | M10 |     |     |     |     |
| ISO |    |    |    |    | F05 | F05 | F07 | F07  | F07  | F10 |     |     |     |     |
| G   |    |    |    |    | 35  | 35  | 55  | 55   | 55   | 70  |     |     |     |     |
| H   |    |    |    |    | 110 | 120 | 144 | 152  | 174  | 188 |     |     |     |     |
| L   |    |    |    |    | 58  | 56  | 67  | 68   | 70   | 97  |     |     |     |     |
| M   |    |    |    |    | 280 | 280 | 370 | 370  | 470  | 650 |     |     |     |     |
| N   |    |    |    |    | 54  | 54  | 70  | 70   | 70   | 97  |     |     |     |     |
| P   |    |    |    |    | 55  | 65  | 82  | 90,5 | 99,5 | 113 |     |     |     |     |
| R   |    |    |    |    | 20  | 21  | 24  | 24   | 27   | 27  |     |     |     |     |
| S   |    |    |    |    | 64  | 84  | 103 | 120  | 155  | 182 |     |     |     |     |
| T   |    |    |    |    | 50  | 50  | 70  | 70   | 70   | 102 |     |     |     |     |
| ~Kg |    |    |    |    | 5   | 7   | 11  | 15   | 20   | 31  |     |     |     |     |

TYPE  
**FA1**  
VEDERE  
SEE  
VOIR  
SIEHE  
DN 15 ÷ 40  
PN 10 ÷ 40  
ANSI 150 ÷ 300

TYPE  
**FB2**  
VEDERE  
SEE  
VOIR  
SIEHE  
DN 150 ÷ 250  
PN 10 ÷ 40  
ANSI 150 ÷ 300

OPTIONAL TYPE  
**FA2**  
VEDERE  
SEE  
VOIR  
SIEHE  
DN 15 ÷ 250  
PN 10 ÷ 40  
ANSI 150 ÷ 300

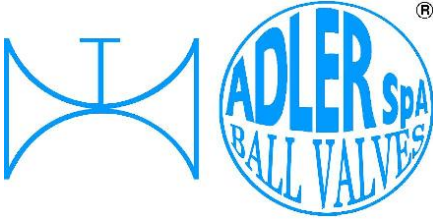
- DATI E CARATTERISTICHE SOGGETTI A VARIAZIONI SENZA PRAVVISIO
- SPECIFICATIONS SUBJECT TO MODIFICATION WITHOUT PRIOR NOTICE
- TOUS DROITS DE MODIFICATION RESERVES
- KONSTRUKTIONSÄNDERUNGEN VORBEHALTEN

PN 10 ÷ 40 - ANSI 150









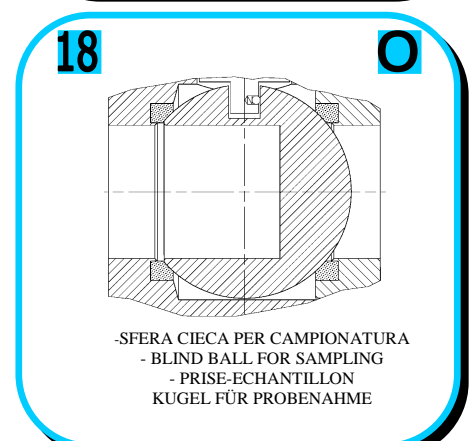
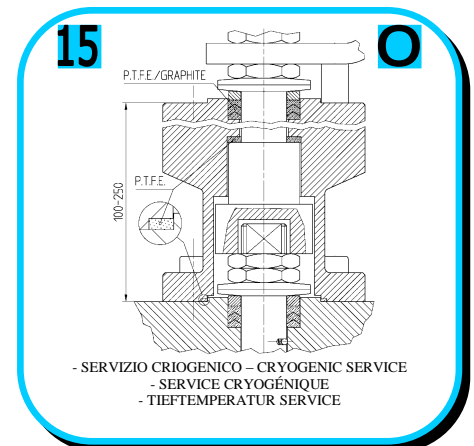
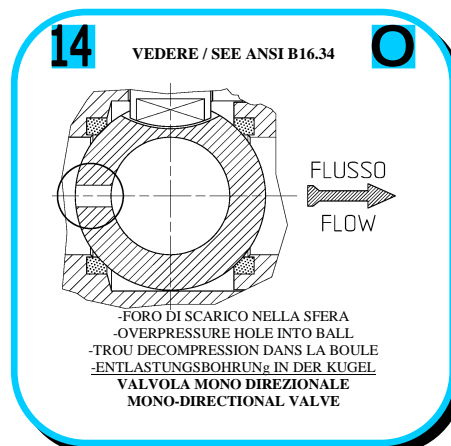
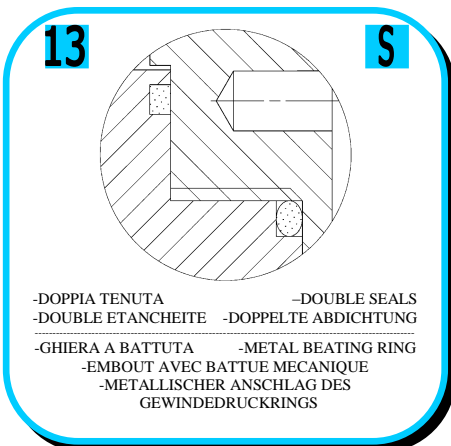
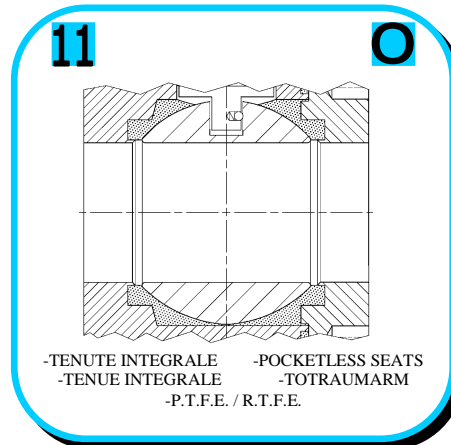
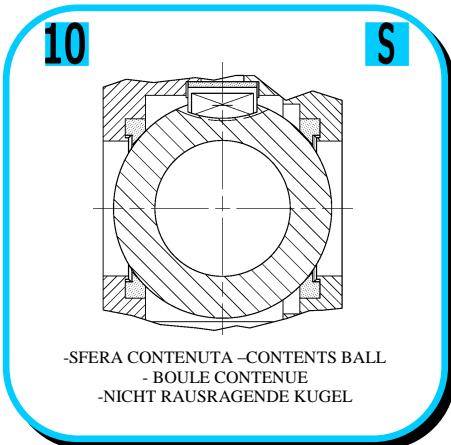
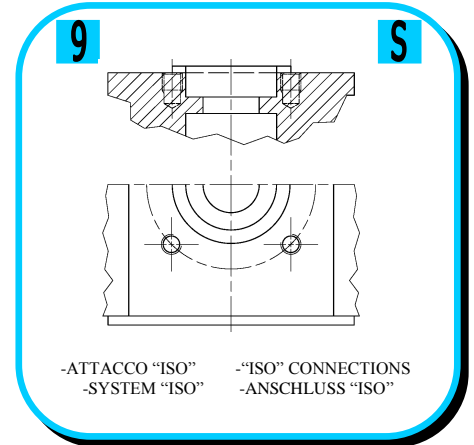
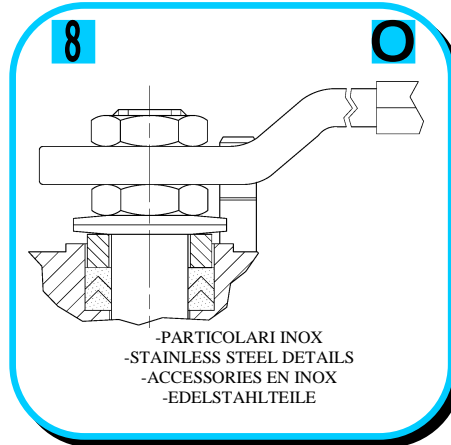
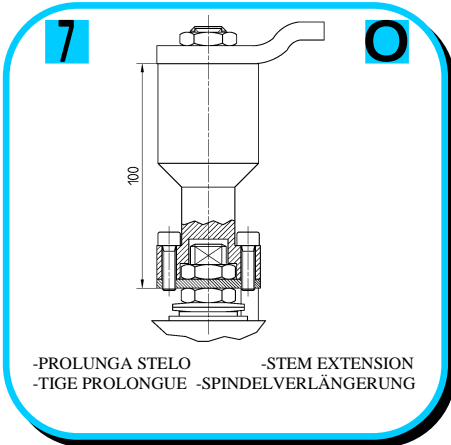
ISO 9001:2008 by L.R.  
 PED DIR. 97/23/EC by L.R.  
 ATEX DIR. 94/9/EC by B.V.  
 FIRE SAFE EXECUTION by L.R.  
 ISO 15848 by TÜV  
 ANTISTATIC DEVICE by L.R.  
 FIRE SAFE TESTED ISO 10497 by L.R.

TYPE  
**FB1**  
 PN 10 ÷ 40  
 ANSI 150

VALVOLA A SFERA "CORPO PIATTO" PASSAGGIO TOTALE  
 BALL VALVES "WAFER TYPE" FULL BORE

ROBINETS A BOISSEAU SPHERIQUE "WAFER" PASSAGE INTEGRAL  
 FLANSCHKUGELHÄHNE IN "KOMPAKTBAUWEISE" VOLLER DURCHGANG

• ESECUZIONI • EXECUTIONS • EXECUTIONS • AUSFÜHRUNGEN



## EUROPEAN NORM

| DN<br>PN | 10-15 | 20 | 25 | 32        | 40        | 50        | 65         | 80              | 100        | 125        | 150 |
|----------|-------|----|----|-----------|-----------|-----------|------------|-----------------|------------|------------|-----|
| 10       |       |    |    | 8 M16 X35 | 8 M16 X35 | 8 M16 X40 | 8 M16 X40  | *<br>16 M16 X40 | 16 M16 X40 | 16 M16 X45 |     |
| 16       |       |    |    | 8 M16 X35 | 8 M16 X35 | 8 M16 X40 | 8 M16 X40  | 16 M16 X40      | 16 M16 X40 | 16 M16 X45 |     |
| 25       |       |    |    | 8 M16 X40 | 8 M16 X40 | 8 M16 X40 | 16 M16 X45 | 16 M16 X45      | 16 M20 X50 | 16 M24 X55 |     |
| 40       |       |    |    | 8 M16 X40 | 8 M16 X40 | 8 M16 X40 | 16 M16 X45 | 16 M16 X45      | 16 M20 X50 | 16 M24 X55 |     |

## ANSI METRIC

(STANDARD ADLER)

| Ø<br>Rating | ½" | ¾" | 1" | 1 ¼"      | 1 ½"      | 2"        | 2 ½"      | 3"        | 4"         | 5"         | 6" |
|-------------|----|----|----|-----------|-----------|-----------|-----------|-----------|------------|------------|----|
| 150         |    |    |    | 8 M14 X35 | 8 M14 X35 | 8 M16 X40 | 8 M16 X40 | 8 M16 X45 | 16 M16 X45 | 16 M20 X50 |    |

## ANSI B1.1 UNC

(ON REQUEST)

| Ø<br>Rating | ½" | ¾" | 1" | 1 ¼"          | 1 ½"          | 2"            | 2 ½"          | 3"            | 4"             | 5"         | 6" |
|-------------|----|----|----|---------------|---------------|---------------|---------------|---------------|----------------|------------|----|
| 150         |    |    |    | 8 1/2 X 1 1/4 | 8 1/2 X 1 1/2 | 8 5/8 X 1 1/2 | 8 5/8 X 1 3/4 | 8 5/8 X 1 3/4 | 16 5/8 X 1 3/4 | 16 3/4 X 2 |    |

