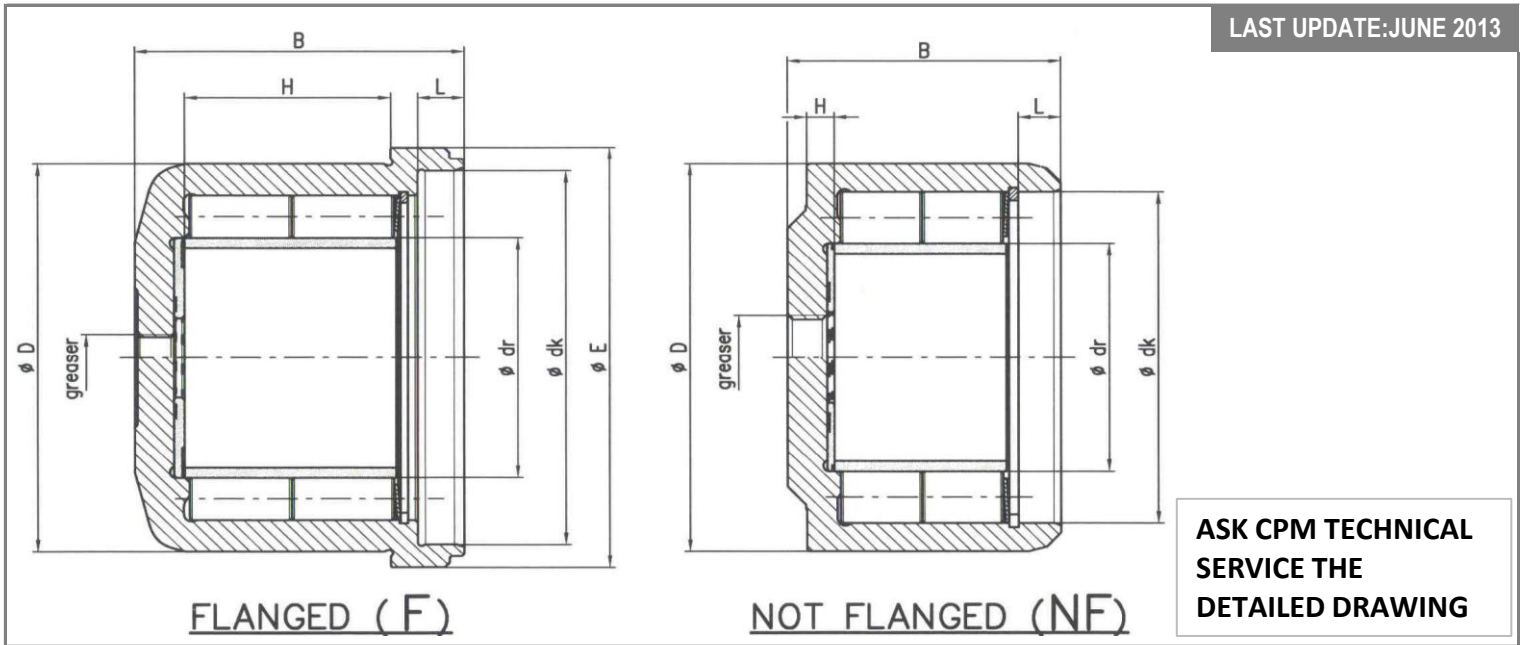


**ASK CPM TECHNICAL SERVICE THE DETAILED DRAWING**

D	dr	B	H	dk	L	E	greaser	BASIC DYNAMIC RADIAL LOAD RATING Cr kN	BASIC STATIC RADIAL LOAD RATING Cor kN	TYPE	CPM CODE
72	49,630	52,00	8,00	63,00	11,00	-	-	113,0	194,0	NF	2689
72	49,630	52,00	8,00	63,00	11,00	-	M10 x 1	113,0	194,0	NF	2760
74	45,800	58,00	37,50	63,00	10,30	82,00	-	126,4	191,3	F	2542
74	45,810	57,00	8,50	63,00	11,55	-	-	133,0	204,0	NF	2690
74	49,630	52,00	8,00	63,00	11,00	-	M10 x 1	113,0	194,0	NF	2759
83	48,920	56,00	5,70	70,92	8,80	-	M18 x 1,5	159,3	215,0	NF	2749
83	50,820	71,30	7,70	72,00	7,90	-	M18 x 1,5	207,0	321,0	NF	2691
83	51,530	67,60	42,36	80,00	9,50	90,00	M10 x 1	178,0	283,0	F	2761
83	54,350	70,30	44,50	80,00	10,50	90,00	M10 x 1	190,0	314,0	F	2688
95	57,160	69,50	6,70	81,16	10,50	-	M18 x 1,5	225,4	329,9	NF	2747
95	59,500	78,70	49,50	90,00	9,50	105,00	M10 x 1	238,0	376,0	F	2751
95	59,500	78,70	49,50	90,00	9,50	105,00	M10 x 1	245,0	392,0	F	2692
110	66,040	77,00	7,70	92,04	10,00	-	M22 x 1,5	290,0	432,0	NF	2748
110	68,700	90,00	55,50	100,00	9,50	122,00	-	330,0	530,0	F	2584
110	68,700	90,00	55,50	100,00	9,50	122,00	M10 x 1	330,0	530,0	F	2762
120	80,020	96,00	60,85	115,00	10,50	129,00	-	385,0	683,0	F	2572



**ASK CPM TECHNICAL SERVICE THE DETAILED DRAWING**

D	dr	B	H	dk	L	E	greaser	BASIC DYNAMIC RADIAL LOAD RATING Cr kN	BASIC STATIC RADIAL LOAD RATING Cor kN	TYPE	CPM CODE
130	80,950	80,00	8,70	110,95	9,30	-	M22 x 1,5	365,0	552,0	NF	2745
130	81,280	105,50	68,85	115,00	10,50	145	-	485,0	760,0	F	2614
130	81,280	107,00	66,85	115,00	10,50	145	M18 x 1,5	450,4	730,9	F	2780
145	96,460	84,50	9,50	128,46	10,30	-	M26 x 1,5	425,0	685,0	NF	2746
160	102,800	96,50	10,50	138,80	10,30	-	M26 x 1,5	540,0	866,0	NF	2741
188	118,650	126,00	11,00	162,65	13,80	-	M26 x 1,5	850,0	1400,0	NF	2771
215	140,260	136,50	12,00	192,26	13,80	-	M36 x 1,5	1090,0	1810,0	NF	2772

LAST UPDATE: MAY 2012

**ASK CPM TECHNICAL  
SERVICE THE  
DETAILED DRAWING**

D	dr	B	H	dk	L	E	greaser	BASIC DYNAMIC RADIAL LOAD RATING Cr kN	BASIC STATIC RADIAL LOAD RATING Cor kN	TYPE	CPM CODE